

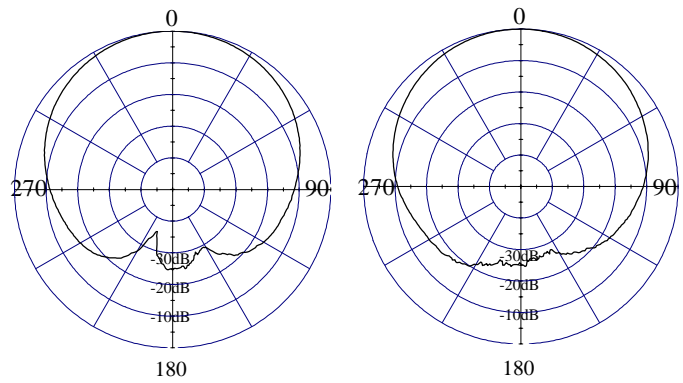
# Model 3950-325/3950-345, 85°, 16.7 dBi(14.6 dBd) Panel

## ELECTRICAL CHARACTERISTICS

Frequency Range	806 - 960 MHz
Beamwidth: Horizontal-plane	85° ± 5° (at -3 dB)
Vertical-plane	7.5° ± 0.5° (at -3 dB)
Maximum / Minimum Gain	16.5/15.9 dBi (14.4/13.8 dBd)
Electrical Downtilt	0°
Side Lobes	≤ -10 dB
Front-to-Back Ratio	≤ -20 dB
Port to Port Isolation	≤ -30 dB

## GENERAL CHARACTERISTICS

Impedance	50 Ω
VSWR	≤ 1.4:1
Polarization	± 45°
Rated Power	400 W



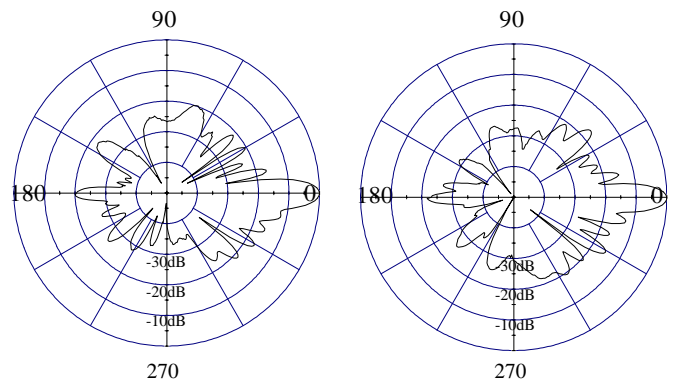
Polar + 45°

Polar - 45°

### HORIZONTAL - PLANE



3950-325



Polar + 45°

Polar - 45°

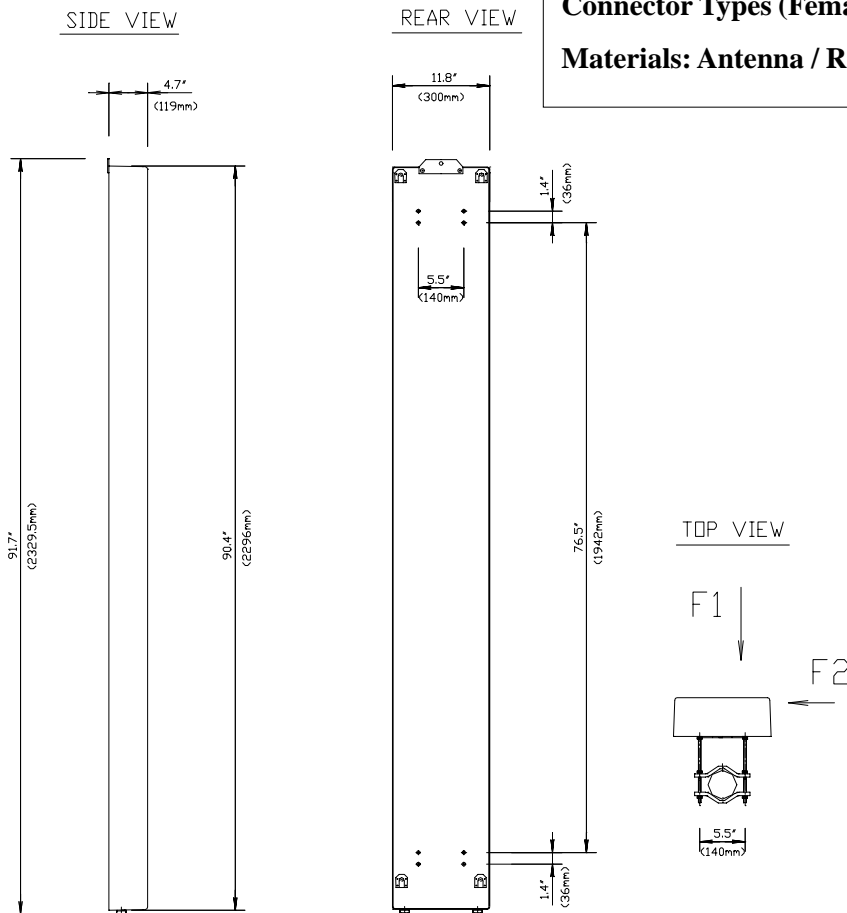
### VERTICAL - PLANE



# Model 3950-325/3950-345, 87°, 16.7 dBi(14.6 dBd) Panel

## MECHANICAL CHARACTERISTICS

<b>Height x Width x Depth</b>	90.4" x 11.8" x 4.7" (2296 x 300 x 119 mm)
<b>Weight</b>	43.1 lbs (19.5 kg)
<b>Wind Survival Rating</b>	125 mph (200 km/h)
<b>Wind Load (at 100 mph)</b>	1140 N (frontal F1) 557 N (lateral F2)
<b>Flat Plate Equivalent Area</b>	7.41 ft <sup>2</sup> (0.69 m <sup>2</sup> )
<b>Connector Types (Female)</b>	Type N, or 7/16 DIN
<b>Materials: Antenna / Radome</b>	Aluminum / ABS



## MOUNTING HARDWARE

<b>Mounting Brackets*</b>	<b>Fix 903</b> (1.25" - 3.5" OD pipe) (30 - 90 mm OD pipe) <b>Fix 905</b> (2" - 4.7" OD pipe) (50 - 120 mm OD pipe)
---------------------------	--

**Mechanical Tilt Brackets (optional)** Model **TB-3990**

\* Antenna without TB-3990 requires Fix 905 Mounting Brackets