



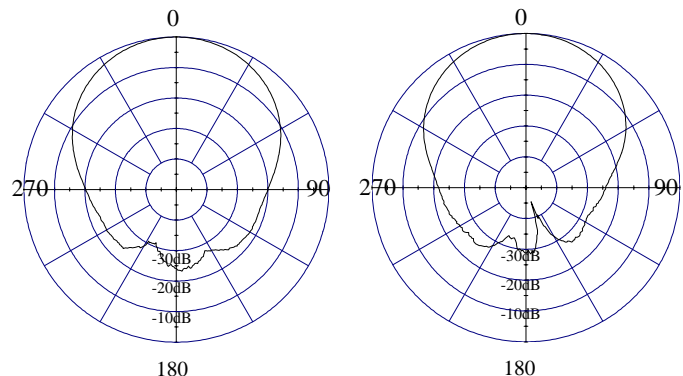
Model 3960-324/3960-344, 65°, 15.8 dBi(13.7 dBd) Panel

ELECTRICAL CHARACTERISTICS

Frequency Range	806 - 960 MHz
Beamwidth: Horizontal-plane	65° ± 4° (at -3 dB)
Vertical-plane	13° ± 1.5° (at -3 dB)
Maximum / Minimum Gain	15.8/15 dBi (13.7/12.9 dBd)
Electrical Downtilt	0° (available -6°, -10°)
Side Lobes	≤ -12 dB
Front-to-Back Ratio	≤ -24 dB
Port to Port Isolation	≤ -30 dB

GENERAL CHARACTERISTICS

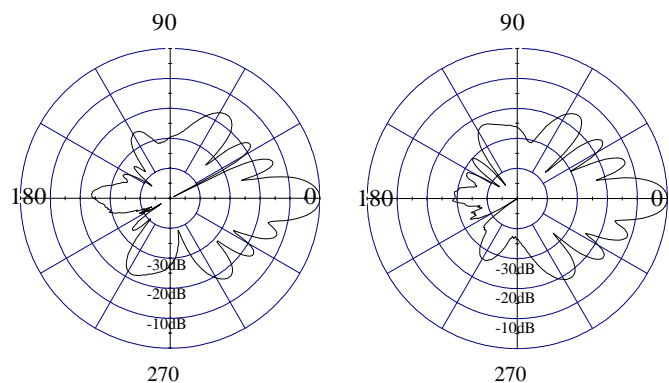
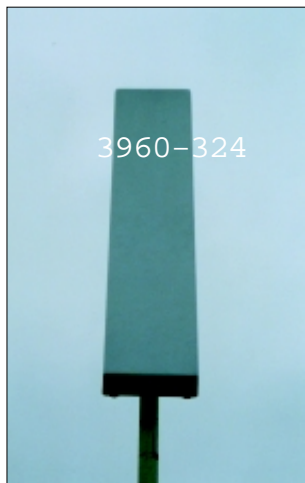
Impedance	50 Ω
VSWR	≤ 1.4:1
Polarization	± 45°
Rated Power	500 W



Polar + 45°

Polar - 45°

HORIZONTAL - PLANE



Polar + 45°

Polar - 45°

VERTICAL - PLANE

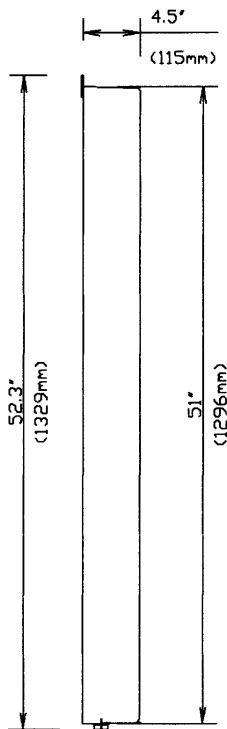


Model 3960-324/3960-344, 65°, 15.8 dBi(13.7 dBd) Panel

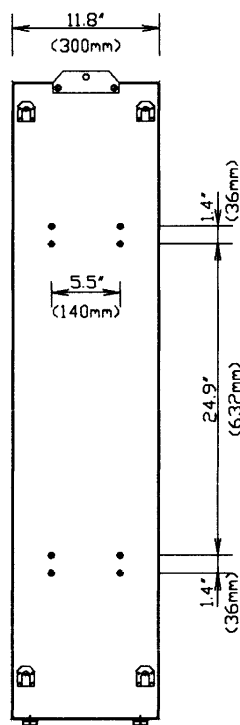
MECHANICAL CHARACTERISTICS

Height x Width x Depth	51" x 11.8" x 4.5" (1296 x 300 x 115 mm)
Weight	24.3 lbs (11 kg)
Wind Survival Rating	125 mph (200 km/h)
Wind Load (at 100 mph)	610 N (frontal F1) 270 N (lateral F2)
Flat Plate Equivalent Area	4.22 ft ² (0.39 m ²)
Connector Types (Female)	Type N, or 7/16 DIN
Materials: Antenna / Radome	Aluminum / ABS

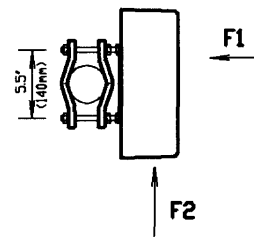
SIDE VIEW



REAR VIEW



TOP VIEW



MOUNTING HARDWARE

Mounting Brackets*	Fix 903 (1.25" - 3.5" OD pipe) (30 - 90 mm OD pipe) Fix 905 (2" - 4.7" OD pipe) (50 - 120 mm OD pipe)
Mechanical Tilt Brackets (optional)	Model TB-3990

* Antenna without TB-3990 requires Fix 905 Mounting Brackets