

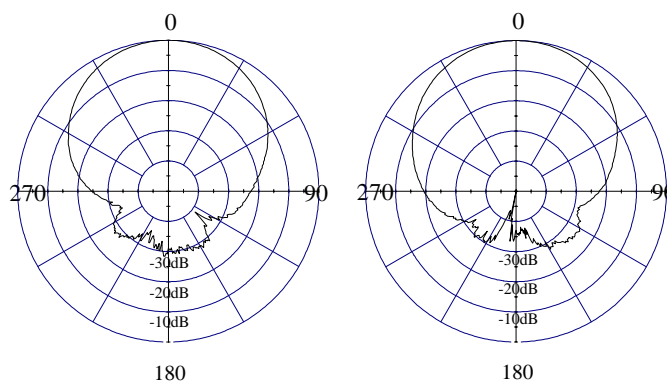
# Model 48010X/48010XS, 62°, 19.3 dBi (17.2 dBd) Panel

## ELECTRICAL CHARACTERISTICS

	DCS / PCS
Frequency Range	1710 - 1990 MHz
Beamwidth: Horizontal-plane Vertical-plane	62° ± 5° (at -3 dB) 6.5° ± 1° (at -3 dB)
Max/Min Gain	19.3/18.7 dBi (17.2/16.6 dBd)
Electrical Downtilt	0° (available -2°)
Side Lobes	≤ -12 dB
Port to Port Isolation	≤ -30 dB
Front-to-Back Ratio	≤ -28 dB

## GENERAL CHARACTERISTICS

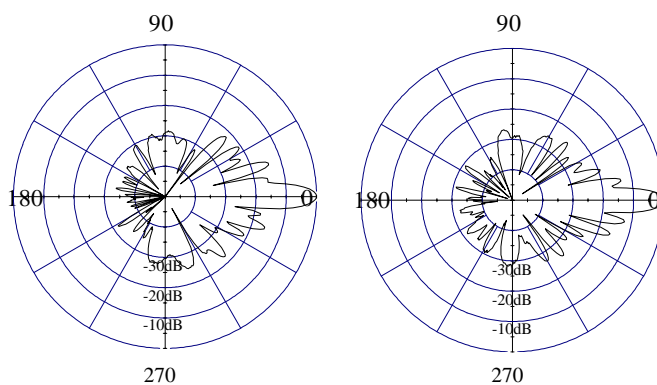
Impedance	50 Ω
VSWR	≤ 1.4:1
Polarization	± 45°
Rated Power	500 W



Polar + 45°

Polar - 45°

## HORIZONTAL - PLANE



Polar + 45°

Polar - 45°

## VERTICAL - PLANE

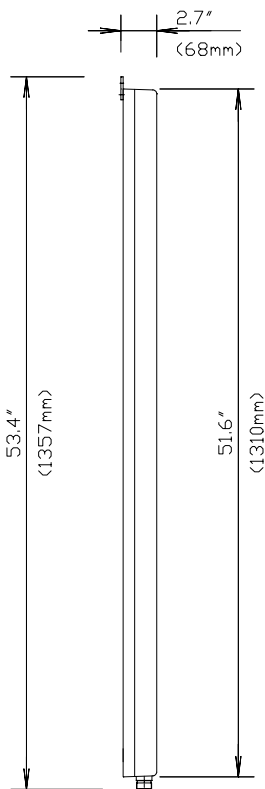


# Model 48010X/48010XS, 62°, 19.3 dBi(17.2 dBd) Panel

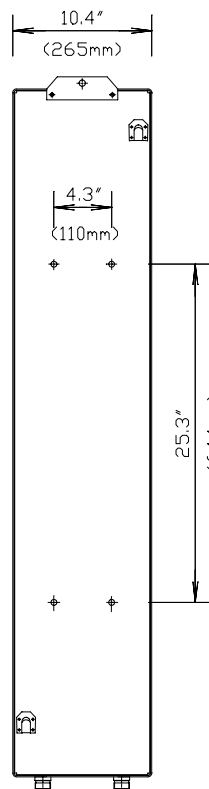
## MECHANICAL CHARACTERISTICS

<b>Height x Width x Depth</b>	51.6" x 10.4" x 2.7" (1310 x 265 x 68 mm)
<b>Weight</b>	17.6 lbs (8 kg)
<b>Wind Survival Rating</b>	125 mph (200 km/h)
<b>Wind Load (at 100 mph)</b>	424 N (frontal F1) 140 N (lateral F2)
<b>Flat Plate Equivalent Area</b>	3.74 ft <sup>2</sup> (0.35 m <sup>2</sup> )
<b>Connector Types (Female)</b>	Type N or 7/16 DIN
<b>Materials:Antenna/Radome</b>	Aluminum / ABS

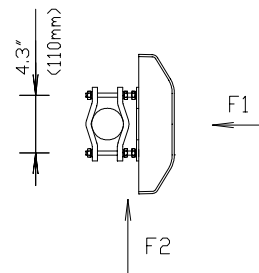
SIDE VIEW



REAR VIEW



TOP VIEW



## MOUNTING HARDWARE

<b>Mounting Brackets</b>	<b>Fix 903</b> (1.25" - 3.5" OD pipe) (30 - 90 mm OD pipe)
<b>Mechanical Tilt Brackets (optional)</b>	<b>TB-3960 / TB-S</b> <b>TB-6X</b> (rear connector option)