

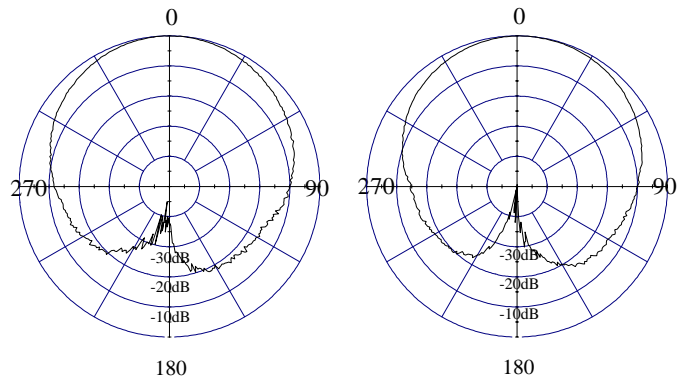
Model 56010X/56010XS, 86°, 15.5 dBi (13.4 dBd) Panel

ELECTRICAL CHARACTERISTICS

	<u>DCS / PCS</u>
Frequency Range	1710 - 1990 MHz
Beamwidth: Horizontal-plane	86° ± 6° (at -3 dB)
Vertical-plane	10.5° ± 1.5° (at -3 dB)
Max/Min Gain	15.5/14.5 dBi (13.4/12.4 dBd)
Electrical Downtilt	0° (available -2°)
Side Lobes	≤ -10 dB
Port to Port Isolation	≤ -27 dB
Front-to-Back Ratio	≤ -20 dB

GENERAL CHARACTERISTICS

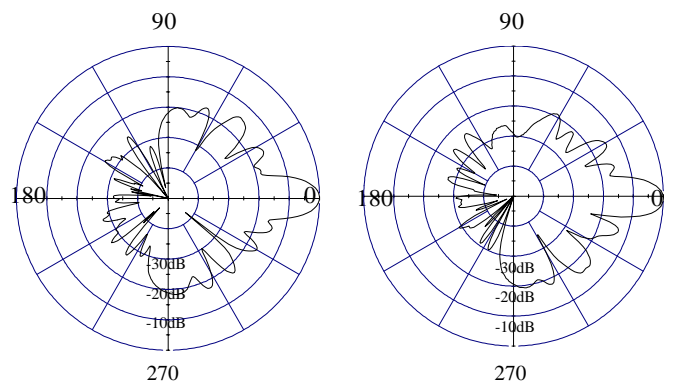
Impedance	50 Ω
VSWR	≤ 1.4:1
Polarization	± 45°
Rated Power	300 W



Polar + 45°

Polar - 45°

HORIZONTAL - PLANE



Polar + 45°

Polar - 45°

VERTICAL - PLANE



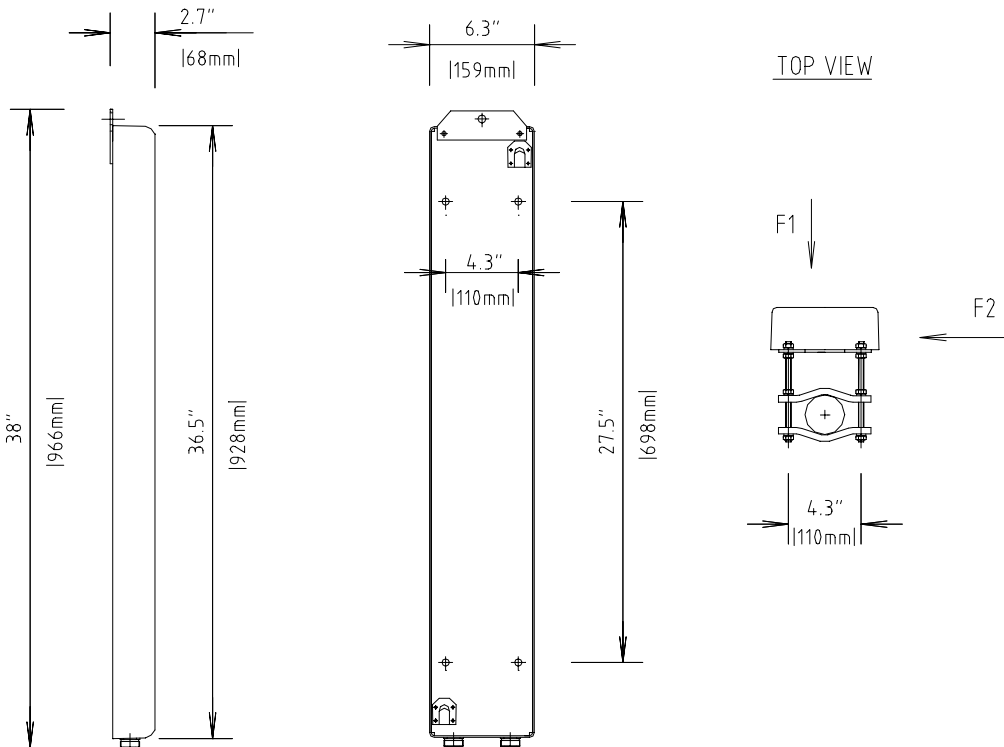
Model 56010X/56010XS, 86°, 15.5 dBi (13.4 dBd) Panel

MECHANICAL CHARACTERISTICS

Height x Width x Depth	36.5" x 6.3" x 2.7" (928 x 159 x 68 mm)
Weight	12.2 lbs (5.5 kg)
Wind Survival Rating	125 mph (200 km/h)
Wind Load (at 100 mph)	235 N (frontal F1) 118 N (lateral F2)
Flat Plate Equivalent Area	1.59 ft ² (0.15 m ²)
Connector Types (Female)	Type N or 7/16 DIN
Materials: Antenna/Radome	Aluminum / ABS

SIDE VIEW

REAR VIEW



MOUNTING HARDWARE

Mounting Brackets	Fix 903 (1.25" - 3.5" OD pipe) (30 - 90 mm OD pipe)
Mechanical Tilt Brackets (optional)	Model TB-5 / TB-S TB-6X (rear connector option)