

Model HD19-28, 28°, 15.6 dBi (13.5 dBd) Antenna

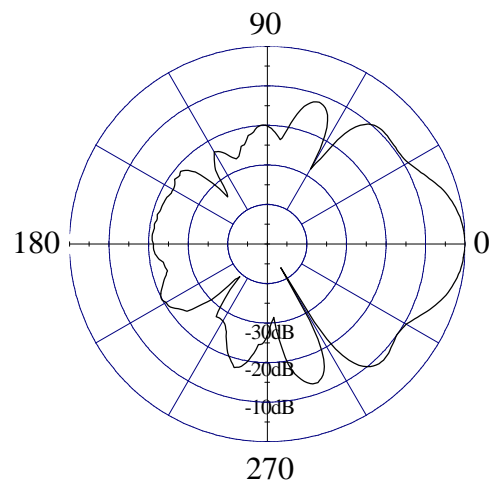
ELECTRICAL CHARACTERISTICS

Frequency Range	1850 - 1990 MHz
Beamwidth:	28° ± 3° (at -3 dB)
Typical Gain	15.6 dBi (13.5 dBd ± 0.5 dBd)
Front-to-Back Ratio	≤ -13 dB

GENERAL CHARACTERISTICS

Impedance	50 Ω
VSWR	≤ 1.4:1
Polarization	Circular
Rated Power	200 W

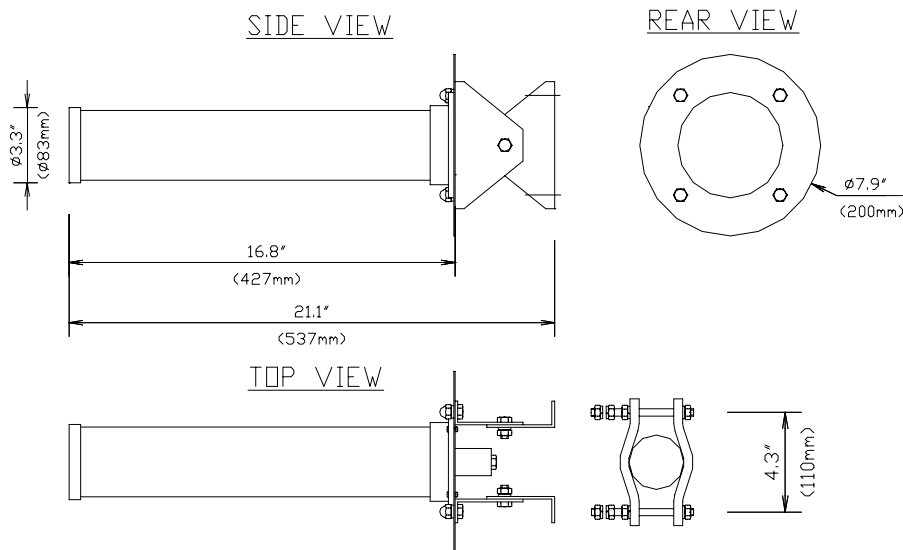
When dimension, range and concealment play a role, our MICROCELL ANTENNA will solve your dilemma.



Model HD19-28, 28°, 15.6 dBi (13.5 dBd) Antenna

MECHANICAL CHARACTERISTICS

Diameter:	Back Reflector	7.9" (200 mm)
	Antenna	3.3" (83 mm)
Length		16.8" (427 mm)
Weight		3.3 lbs (1.5 kg)
Wind Survival Rating		100 mph (160 km/h)
Connector Types(Female)		Type N, or 7/16 DIN (specify when ordering)
Material: Antenna		Aluminum
Material: Radome		Polyester



MOUNTING HARDWARE

Mounting Brackets	Fix 903 (1.25" - 3.5" OD pipe) (30 - 90 mm OD pipe)
--------------------------	---