

Model 06010, 11.1 dBi (9 dBd) Omni Module

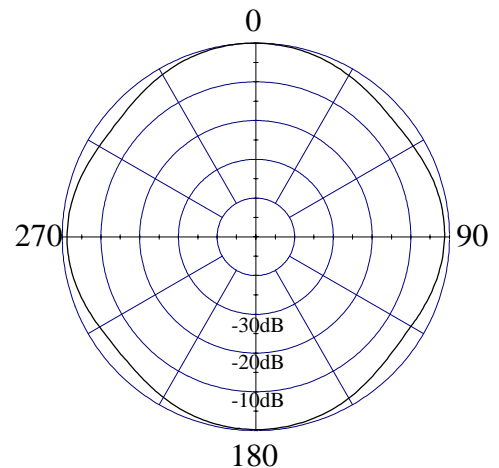
ELECTRICAL CHARACTERISTICS

DCS / PCS

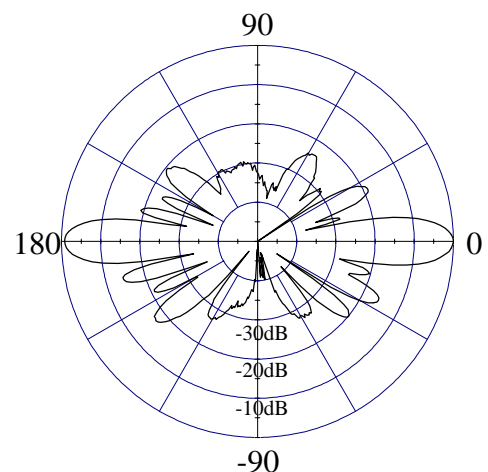
Frequency Range	1710 - 1990 MHz
Beamwidth: Horizontal-plane	Omni ± 2 dB
Vertical-plane	$10^\circ \pm 1^\circ$ (at -3 dB)
Max/Min Gain	11.1/10.1 dBi (9/8 dBd)
Electrical Downtilt	0° (available -2°, -3°, -6°)
Side Lobes	≤ -12 dB

GENERAL CHARACTERISTICS

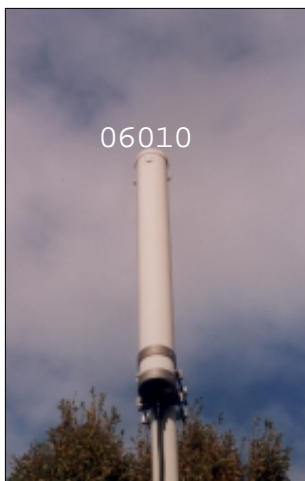
Impedance	50 Ω
VSWR	$\leq 1.4:1$
Polarization	Vertical
Rated Power	500 W



HORIZONTAL - PLANE



VERTICAL - PLANE



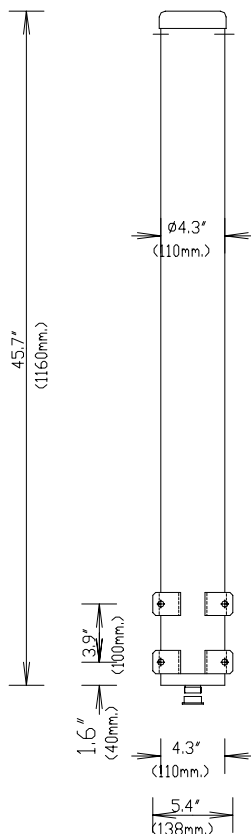


Model 06010, 11.1 dBi (9 dBd) Omni Module

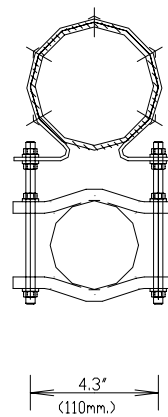
MECHANICAL CHARACTERISTICS

Height	45.7" (1160 mm)
Diameter	4.3" (110 mm)
Weight	12.1 lbs (5.5 kg)
Wind Survival Rating	125 mph (200 km/h)
Wind Load (at 100 mph)	88.5 N
Flat Plate Equivalent Area	1.36 ft ² (0.13 m ²)
Connector Types (Female)	7/16 DIN (Type N available)
Materials: Antenna/Radome	Aluminum / ABS

REAR VIEW



TOP VIEW



MOUNTING HARDWARE

Mounting Brackets	Fix 903 (1.25" - 3.5" OD pipe) (30 - 90 mm OD pipe)
--------------------------	---