

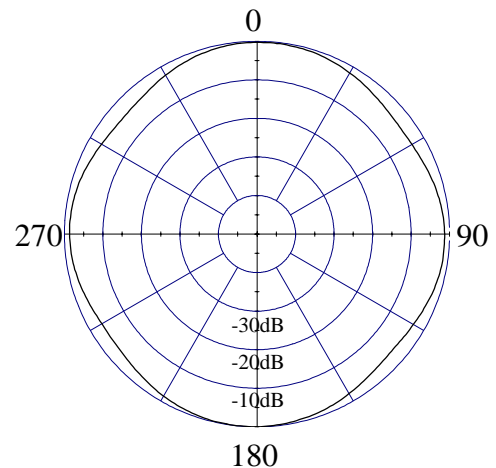
Model 09010, 14.1 dBi (12 dBd) Omni Module

ELECTRICAL CHARACTERISTICS

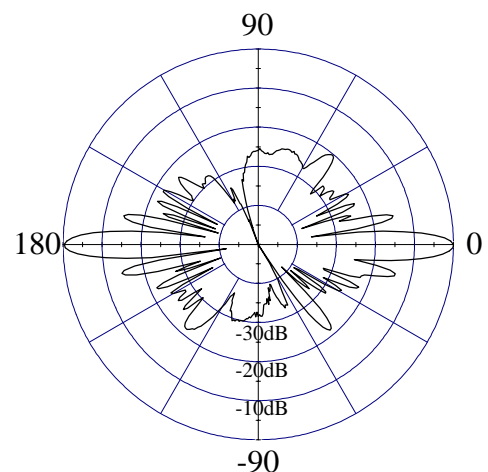
	<u>DCS / PCS</u>
Frequency Range	1710 - 1990 MHz
Beamwidth: Horizontal-plane Vertical-plane	Omni ± 2 dB $5.5^\circ \pm 1^\circ$ (at -3 dB)
Max/Min Gain	14.1/13.1 dBi (12/11 dBd)
Electrical Downtilt	0° (available -1°, -2°, -4°, -6°)
Side Lobes	≤ -11 dB

GENERAL CHARACTERISTICS

Impedance	50 Ω
VSWR	$\leq 1.4:1$
Polarization	Vertical
Rated Power	500 W



HORIZONTAL - PLANE



VERTICAL - PLANE

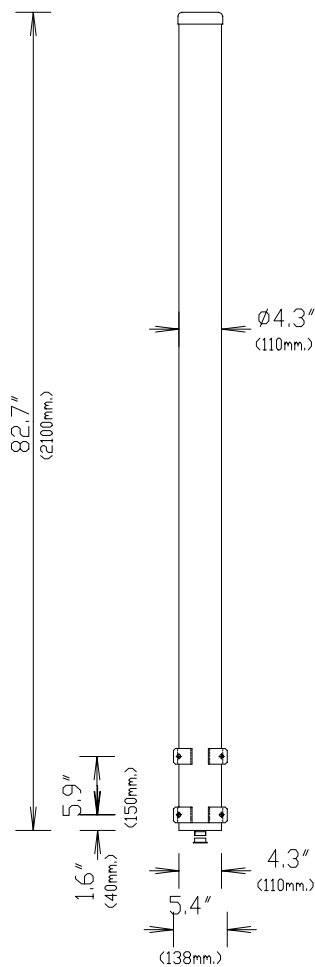


Model 09010, 14.1 dBi (12 dBd) Omni Module

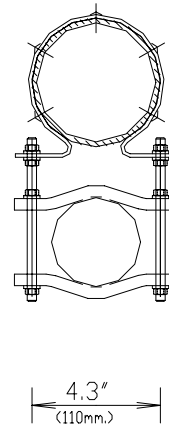
MECHANICAL CHARACTERISTICS

Height	82.7" (2100 mm)
Diameter	4.3" (110 mm)
Weight	22.1 lbs (10 kg)
Wind Survival Rating	125 mph (200 km/h)
Wind Load (at 100 mph)	195.5 N
Flat Plate Equivalent Area	2.49 ft ² (0.23 m ²)
Connector Types (Female)	7/16 DIN (Type N available)
Materials: Antenna/Radome	Aluminum / ABS

REAR VIEW



TOP VIEW



MOUNTING HARDWARE

Mounting Brackets	Fix 903 (1.25" - 3.5" OD pipe) (30 - 90 mm OD pipe)
--------------------------	---