

Model 14010/14010S, 113°, 12.1 dBi(10 dBd)Panel

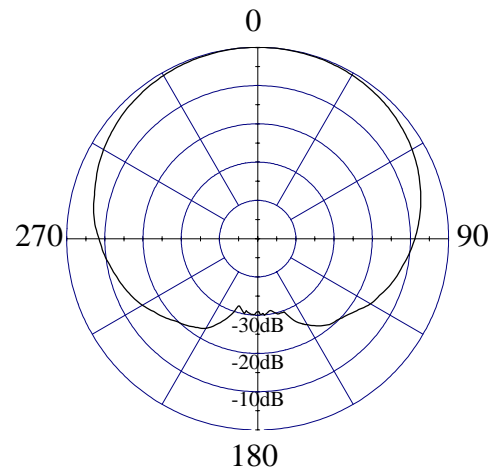
ELECTRICAL CHARACTERISTICS

DCS / PCS

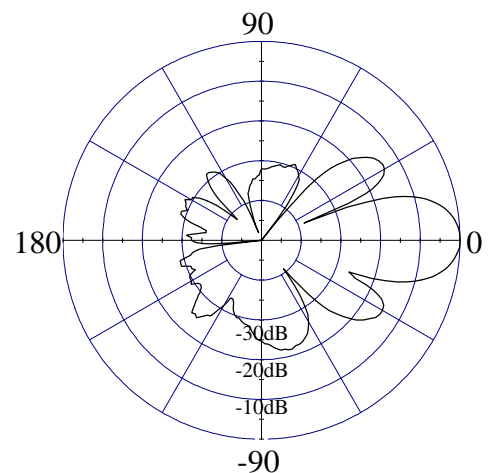
Frequency Range	1710 - 1990 MHz
Beamwidth: Horizontal-plane	113° ± 4° (at -3 dB)
Vertical-plane	19° ± 2° (at -3 dB)
Max/Min Gain	12.1/11.1 dBi (10/9 dBd)
Electrical Downtilt	0° (available -2°, -4°, -10°)
Side Lobes	≤ -11 dB
Front-to-Back Ratio	≤ -24 dB

GENERAL CHARACTERISTICS

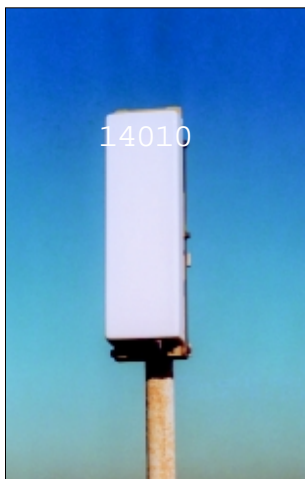
Impedance	50 Ω
VSWR	≤ 1.4:1
Polarization	Vertical
Rated Power	500 W



HORIZONTAL - PLANE



VERTICAL - PLANE





Model 14010/14010S, 113°, 12.1 dBi(10 dBd)Panel

MECHANICAL CHARACTERISTICS

Height x Width x Depth	19.3" x 6.3" x 2.7" (489 x 159 x 68 mm)
Weight	4 lbs (1.8 kg)
Wind Survival Rating	125 mph (200 km/h)
Wind Load (at 100 mph)	120 N (frontal F1) 53 N (lateral F2)
Flat Plate Equivalent Area	0.84 ft ² (0.08 m ²)
Connector Types (Female)	7/16 DIN (Type N available)
Materials:Antenna/Radome	Aluminum / ABS

REAP

MOUNTING HARDWARE

Mounting Brackets	Fix 903 (1.25" - 3.5" OD pipe) (30 - 90 mm OD pipe)
Mechanical Tilt Brackets (optional)	Model TB-4 / TB-S