



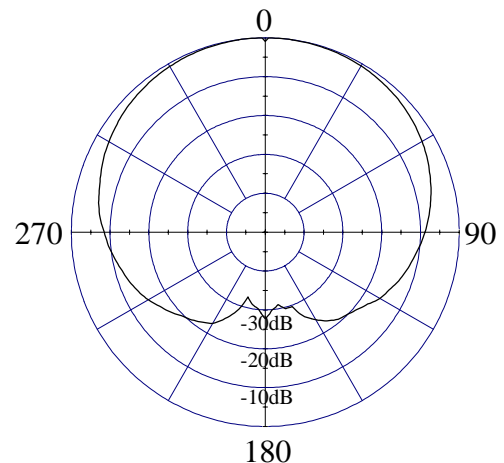
Model 18010/18010S, 113°, 16.4 dBi (14.3 dBd) Panel

ELECTRICAL CHARACTERISTICS

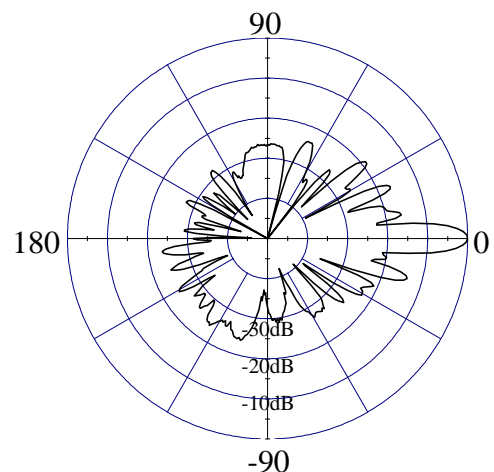
	<u>DCS / PCS</u>
Frequency Range	1710 - 1990 MHz
Beamwidth: Horizontal-plane Vertical-plane	113° ± 4° (at -3 dB) 7° ± 1° (at -3 dB)
Max/Min Gain	16.4/15.4 dBi (14.3/13.3 dBd)
Electrical Downtilt	0° (available -2°, -3°)
Side Lobes	≤ -15 dB
Front-to-Back Ratio	≤ -24 dB

GENERAL CHARACTERISTICS

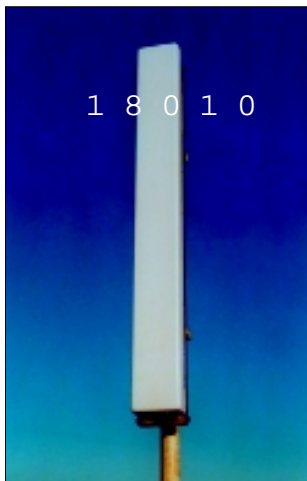
Impedance	50 Ω
VSWR	≤ 1.4:1
Polarization	Vertical
Rated Power	500 W



HORIZONTAL - PLANE



VERTICAL - PLANE



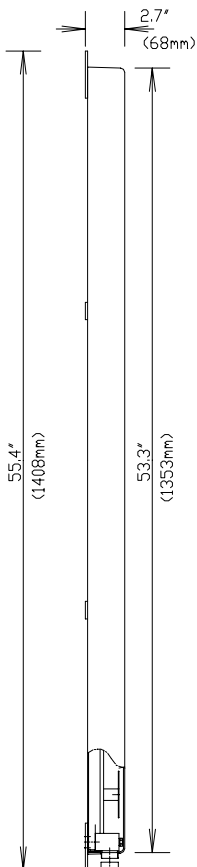


Model 18010/18010S, 113°, 16.4 dBi (14.3 dBd) Panel

MECHANICAL CHARACTERISTICS

Height x Width x Depth	53.3" x 6.3" x 2.7" (1353 x 159 x 68 mm)
Weight	11 lbs (5 kg)
Wind Survival Rating	125 mph (200 km/h)
Wind Load (at 100 mph)	363 N (frontal F1) 160 N (lateral F2)
Flat Plate Equivalent Area	2.31 ft ² (0.22 m ²)
Connector Types (Female)	7/16 DIN (Type N available)
Materials:Antenna/Radome	Aluminum / ABS

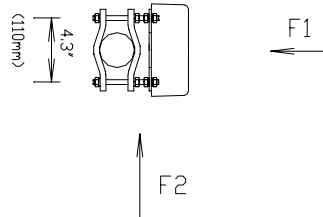
SIDE VIEW



REAR VIEW



TOP VIEW



MOUNTING HARDWARE

Mounting Brackets	Fix 903 (1.25" - 3.5" OD pipe) (30 - 90 mm OD pipe)
Mechanical Tilt Brackets (optional)	Model TB-6 / TB-S