

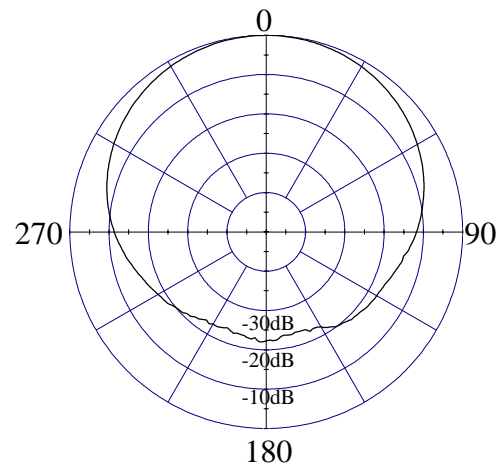
# Model 2940-005/2940-015, 88°, 12.8 dBi(10.7 dBd)Panel

## ELECTRICAL CHARACTERISTICS

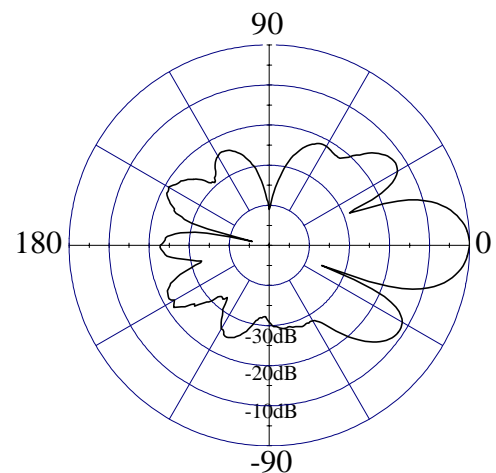
Frequency Range	806 - 960 MHz
Beamwidth: Horizontal-plane Vertical-plane	88° ± 3° (at -3 dB) 19° ± 2° (at -3 dB)
Maximum / Minimum Gain	12.8/12.2 dBi (10.7/10.1 dBd)
Electrical Downtilt	0° (available -6°, -10°, -15°)
Side Lobes	≤ -12 dB
Front-to-Back Ratio	≤ -20 dB

## GENERAL CHARACTERISTICS

Impedance	50 Ω
VSWR	≤ 1.5:1
Polarization	Vertical
Rated Power	500 W



HORIZONTAL - PLANE



VERTICAL - PLANE



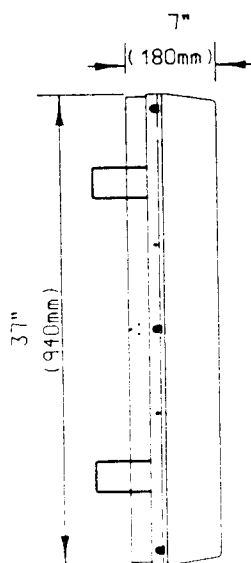


# Model 2940-005/2940-015, 88°, 12.8 dBi(10.7 dBd) Panel

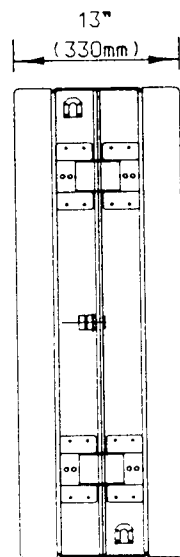
## MECHANICAL CHARACTERISTICS

<b>Height x Width x Depth</b>	37" x 13" x 7" (940 x 330 x 180 mm)
<b>Weight</b>	15 lbs (6.8 kg)
<b>Wind Survival Rating</b>	125 mph (200 km/h)
<b>Wind Load (at 100 mph)</b>	492 N (frontal F1) 248 N (lateral F2)
<b>Flat Plate Equivalent Area</b>	3.34 ft <sup>2</sup> (0.31 m <sup>2</sup> )
<b>Connector Types (Female)</b>	Type N, or 7/16 DIN
<b>Materials: Antenna / Radome</b>	Aluminum / ABS

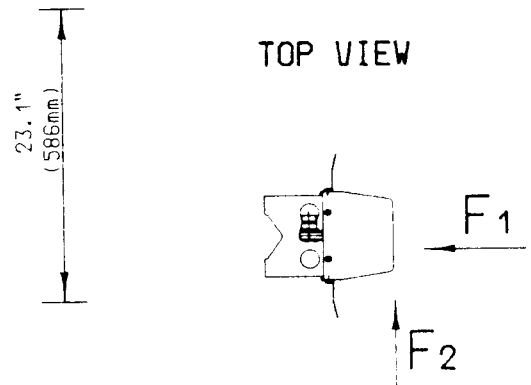
SIDE VIEW



REAR VIEW



TOP VIEW



## MOUNTING HARDWARE

<b>Mounting Brackets (standard)</b>	<b>Fix 903</b> (1.25" - 3.5" OD pipe) (30 - 90 mm OD pipe)
<b>Mounting Brackets (optional)</b>	<b>Fix 905</b> (2" - 4.7" OD pipe) (50 - 120 mm OD pipe)
	<b>Fix 902</b> (4.5" - 6.6" OD pipe) (115 - 170 mm OD pipe)
<b>Mechanical Tilt Brackets (optional)</b>	Model <b>307780</b>