

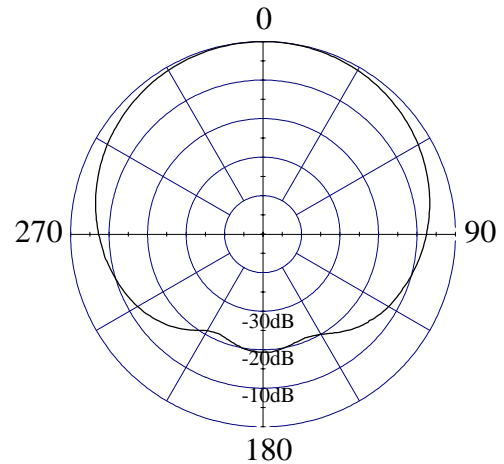
# Model 2960-001/2960-011, 116°, 13.6 dBi(11.5 dBd)Panel

## ELECTRICAL CHARACTERISTICS

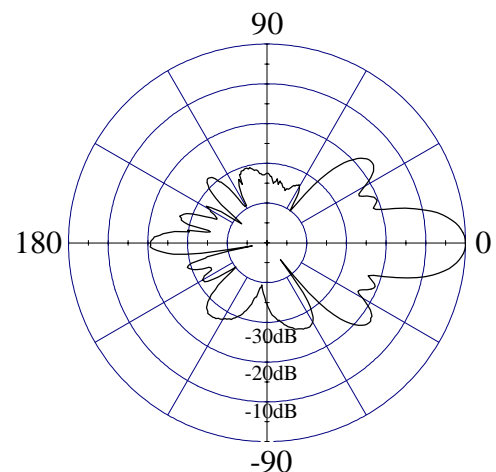
Frequency Range	806 - 960 MHz
Beamwidth: Horizontal-plane	116° ± 4° (at -3 dB)
Vertical-plane	14° ± 1° (at -3 dB)
Maximum / Minimum Gain	13.6/13 dBi (11.5/10.9 dBd)
Electrical Downtilt	0° (available -6°, -10°, -15°)
Side Lobes	≤ -15 dB
Front-to-Back Ratio	≤ -19 dB

## GENERAL CHARACTERISTICS

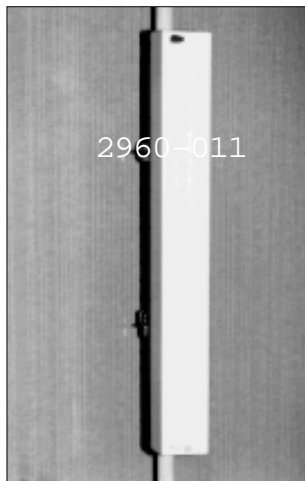
Impedance	50 Ω
VSWR	≤ 1.5:1
Polarization	Vertical
Rated Power	500 W



HORIZONTAL - PLANE



VERTICAL - PLANE



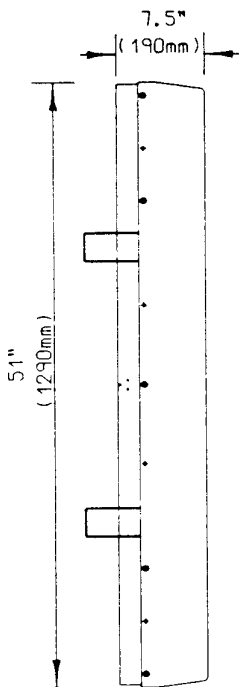


# Model 2960-001/2960-011, 116°, 13.6 dBi(11.5 dBd)Panel

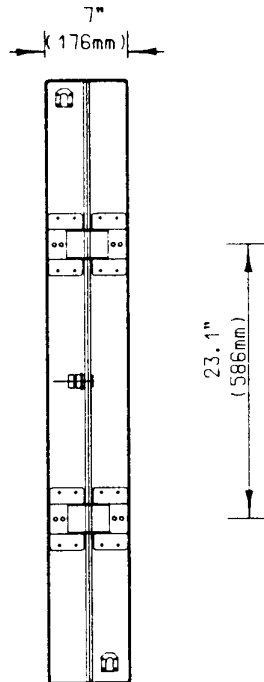
## MECHANICAL CHARACTERISTICS

<b>Height x Width x Depth</b>	51" x 7" x 7.5" (1290 x 176 x 190 mm)
<b>Weight</b>	17 lbs (7.7 kg)
<b>Wind Survival Rating</b>	125 mph (200 km/h)
<b>Wind Load (at 100 mph)</b>	334 N (frontal F1) 348 N (lateral F2)
<b>Flat Plate Equivalent Area</b>	2.44 ft <sup>2</sup> (0.23 m <sup>2</sup> )
<b>Connector Types (Female)</b>	Type N, or 7/16 DIN
<b>Materials: Antenna / Radome</b>	Aluminum / ABS

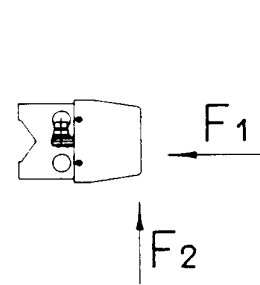
SIDE VIEW



REAR VIEW



TOP VIEW



## MOUNTING HARDWARE

<b>Mounting Brackets (standard)</b>	<b>Fix 903</b> (1.25" - 3.5" OD pipe) (30 - 90 mm OD pipe)
<b>Mounting Brackets (optional)</b>	<b>Fix 905</b> (2" - 4.7" OD pipe) (50 - 120 mm OD pipe)
	<b>Fix 902</b> (4.5" - 6.6" OD pipe) (115 - 170 mm OD pipe)
<b>Mechanical Tilt Brackets (optional)</b>	Model <b>307780</b>