

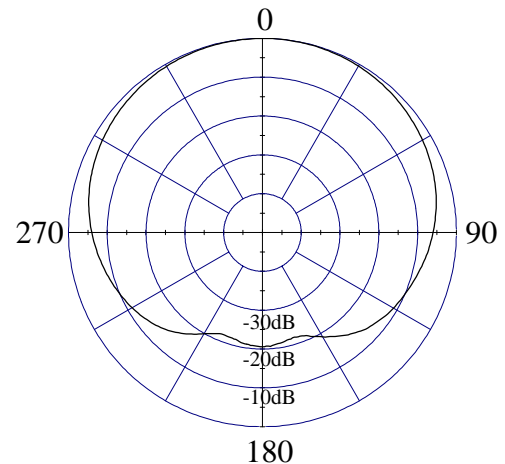
Model 2960-007/2960-017, 135°, 12.4 dBi(10.3 dBd)Panel

ELECTRICAL CHARACTERISTICS

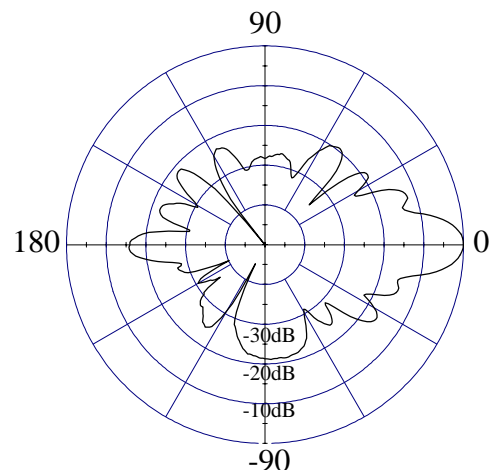
Frequency Range	806 - 960 MHz
Beamwidth: Horizontal-plane	135° ± 3° (at -3 dB)
Vertical-plane	14° ± 1° (at -3 dB)
Maximum / Minimum Gain	12.4/11.8 dBi (10.3/9.7 dBd)
Electrical Downtilt	0° (available -6°, -10°, -15°)
Side Lobes	≤ -16 dB
Front-to-Back Ratio	≤ -18 dB

GENERAL CHARACTERISTICS

Impedance	50 Ω
VSWR	≤ 1.5:1
Polarization	Vertical
Rated Power	500 W



HORIZONTAL - PLANE



VERTICAL - PLANE



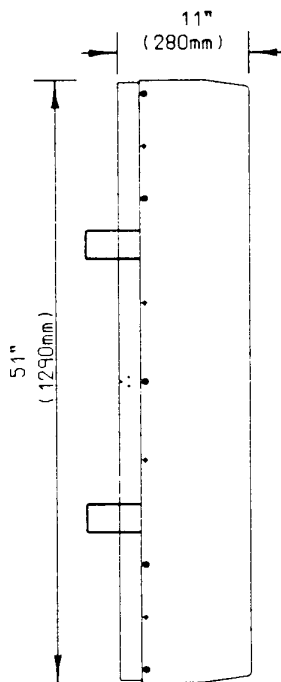


Model 2960-007/2960-017, 135°, 12.4 dBi(10.3 dBd)Panel

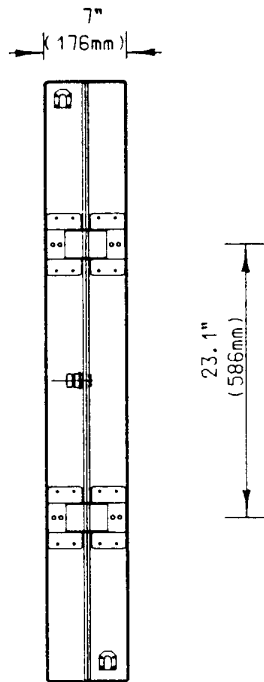
MECHANICAL CHARACTERISTICS

Height x Width x Depth	51" x 7" x 11" (1290 x 176 x 280 mm)
Weight	23.4 lbs (10.6 kg)
Wind Survival Rating	125 mph (200 km/h)
Wind Load (at 100 mph)	331 N (frontal F1) 530 N (lateral F2)
Flat Plate Equivalent Area	2.44 ft ² (0.23 m ²)
Connector Types (Female)	Type N, or 7/16 DIN
Materials: Antenna / Radome	Aluminum / Polyester

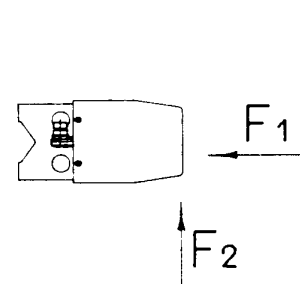
SIDE VIEW



REAR VIEW



TOP VIEW



MOUNTING HARDWARE

Mounting Brackets (standard)	Fix 903 (1.25" - 3.5" OD pipe) (30 - 90 mm OD pipe)
Mounting Brackets (optional)	Fix 905 (2" - 4.7" OD pipe) (50 - 120 mm OD pipe)
	Fix 902 (4.5" - 6.6" OD pipe) (115 - 170 mm OD pipe)
Mechanical Tilt Brackets (optional)	Model 307780