

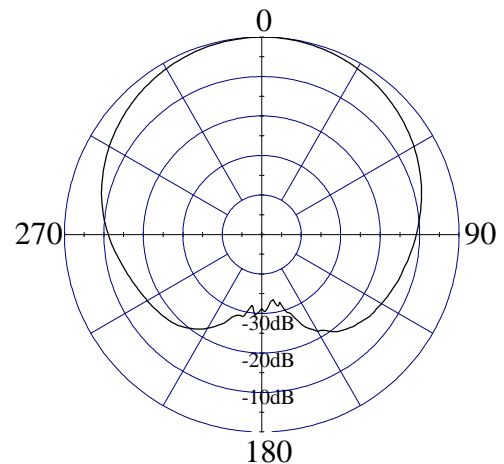
Model 3960-025/3960-045, 87°, 14.3 dBi(12.2 dBd)Panel

ELECTRICAL CHARACTERISTICS

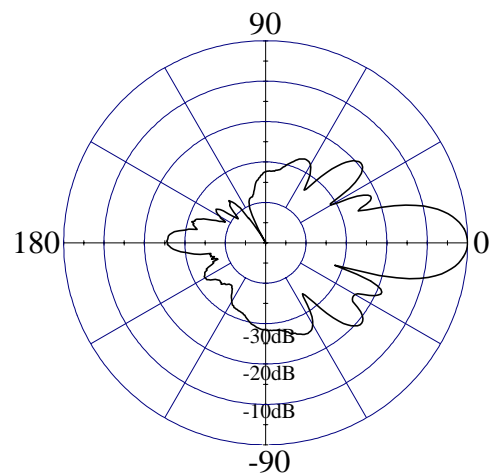
Frequency Range	806 - 960 MHz
Beamwidth: Horizontal-plane Vertical-plane	87° ± 3° (at -3 dB) 15° ± 0.5° (at -3 dB)
Maximum / Minimum Gain	14.3/13.5 dBi (12.2/11.4 dBd)
Electrical Downtilt	0° (available -1° to -15°)
Side Lobes	≤ -17 dB
Front-to-Back Ratio	≤ -24 dB

GENERAL CHARACTERISTICS

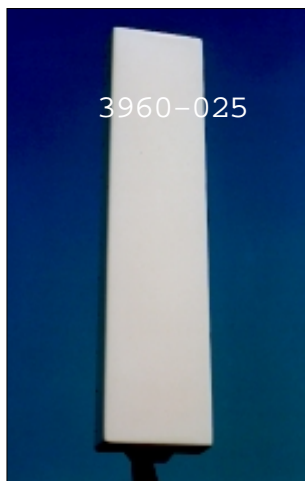
Impedance	50 Ω
VSWR	≤ 1.4:1
Polarization	Vertical
Rated Power	500 W



HORIZONTAL - PLANE



VERTICAL - PLANE

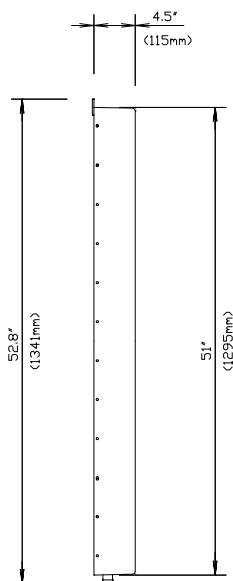


Model 3960-025/3960-045, 87°, 14.3 dBi(12.2 dBd) Panel

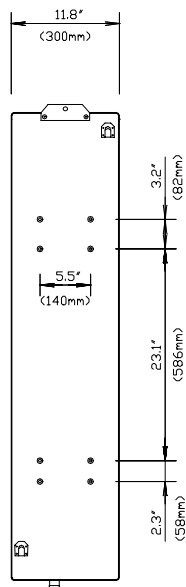
MECHANICAL CHARACTERISTICS

Height x Width x Depth	51" x 11.8" x 4.5" (1295 x 300 x 115 mm)
Weight	17.6 lbs (8 kg)
Wind Survival Rating	125 mph (200 km/h)
Wind Load (at 100 mph)	610 N (frontal F1) 270 N (lateral F2)
Flat Plate Equivalent Area	4.2 ft ² (0.39 m ²)
Connector Types (Female)	Type N, or 7/16 DIN
Materials: Antenna / Radome	Aluminum / ABS

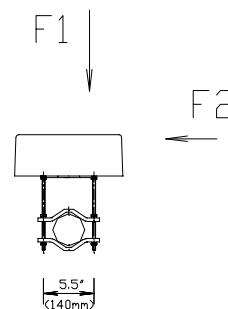
SIDE VIEW



REAR VIEW



TOP VIEW



MOUNTING HARDWARE

Mounting Brackets*	Fix 903 (1.25" - 3.5" OD pipe) (30 - 90 mm OD pipe)
	Fix 905 (2" - 4.7" OD pipe) (50 - 120 mm OD pipe)

Mechanical Tilt Brackets (optional) Model **TB-3960**

* Antenna without TB-3960 requires Fix 905 Mounting Brackets