

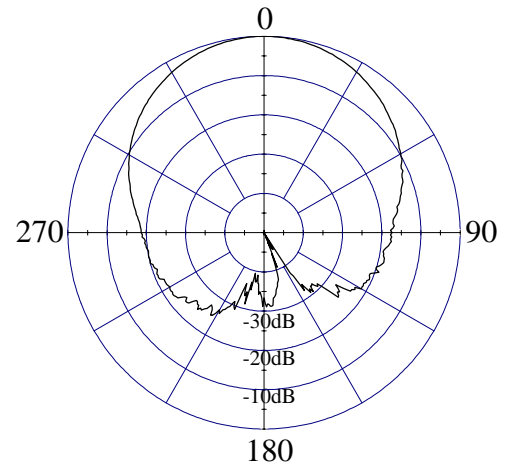
# Model 3980-024/3980-044, 61°, 16.9 dBi(14.8 dBd) Panel

## ELECTRICAL CHARACTERISTICS

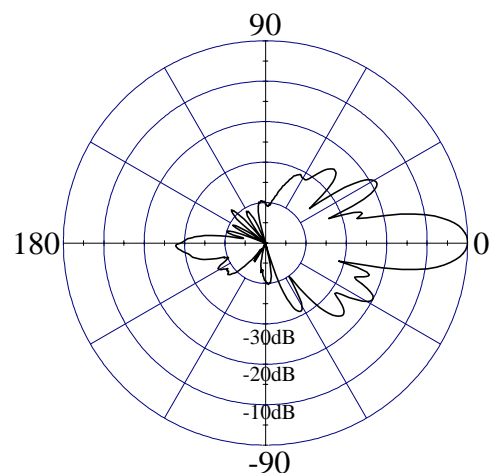
<b>Frequency Range</b>	806 - 960 MHz
<b>Beamwidth: Horizontal-plane</b>	61° ± 5° (at -3 dB)
<b>Vertical-plane</b>	12° ± 1.5° (at -3 dB)
<b>Maximum / Minimum Gain</b>	16.9/15.4 dBi (14.8/13.3 dBd)
<b>Electrical Downtilt</b>	0° (available -1° to -15°)
<b>Side Lobes</b>	≤ -14 dB
<b>Front-to-Back Ratio</b>	≤ -24 dB

## GENERAL CHARACTERISTICS

<b>Impedance</b>	50 Ω
<b>VSWR</b>	≤ 1.4:1
<b>Polarization</b>	Vertical
<b>Rated Power</b>	500 W



**HORIZONTAL - PLANE**



**VERTICAL - PLANE**



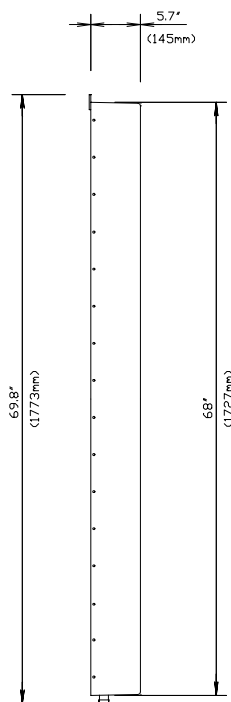


# Model 3980-024/3980-044, 61°, 16.9 dBi(14.8 dBd) Panel

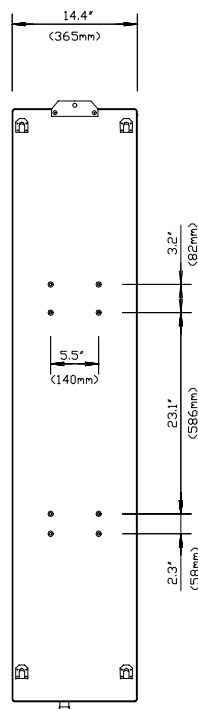
## MECHANICAL CHARACTERISTICS

<b>Height x Width x Depth</b>	68" x 14.4" x 5.7" (1727 x 365 x 145 mm)
<b>Weight</b>	39.7 lbs (18 kg)
<b>Wind Survival Rating</b>	125 mph (200 km/h)
<b>Wind Load (at 100 mph)</b>	977 N (frontal F1) 446 N (lateral F2)
<b>Flat Plate Equivalent Area</b>	6.7 ft <sup>2</sup> (0.62 m <sup>2</sup> )
<b>Connector Types (Female)</b>	Type N, or 7/16 DIN
<b>Materials: Antenna / Radome</b>	Aluminum / ABS

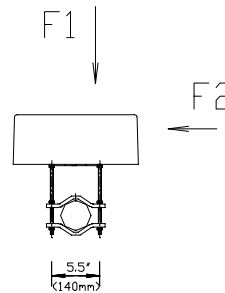
SIDE VIEW



REAR VIEW



TOP VIEW



## MOUNTING HARDWARE

<b>Mounting Brackets*</b>	<b>Fix 903</b> (1.25" - 3.5" OD pipe) (30 - 90 mm OD pipe)
	<b>Fix 905</b> (2" - 4.7" OD pipe) (50 - 120 mm OD pipe)

**Mechanical Tilt Brackets (optional)** Model 307780

\* Antenna without 307780 requires Fix 905 Mounting Brackets