

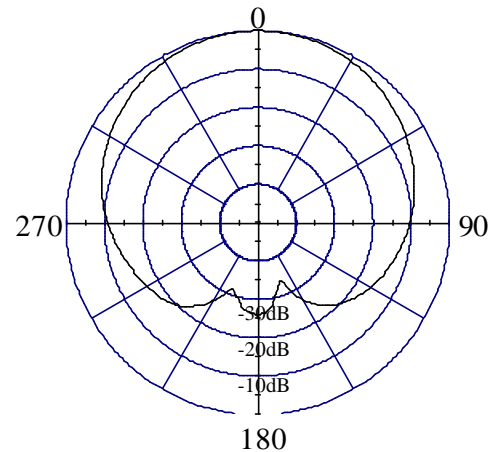
# Model 3990-025/3990-045, 87°, 17 dBi (14.9 dBd) Panel

## ELECTRICAL CHARACTERISTICS

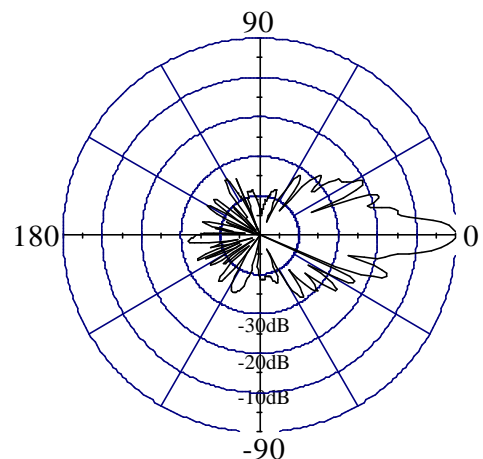
Frequency Range	806 - 960 MHz
Beamwidth: Horizontal-plane Vertical-plane	87° ± 4° (at -3 dB) 7° ± 1° (at -3 dB)
Maximum / Minimum Gain	17/16 dBi (14.9/13.9 dBd)
Electrical Downtilt	0° (available -1° to -10°)
Side Lobes	≤ -14 dB
Front-to-Back Ratio	≤ -20 dB

## GENERAL CHARACTERISTICS

Impedance	50 Ω
VSWR	≤ 1.4:1
Polarization	Vertical
Rated Power	500 W



HORIZONTAL - PLANE



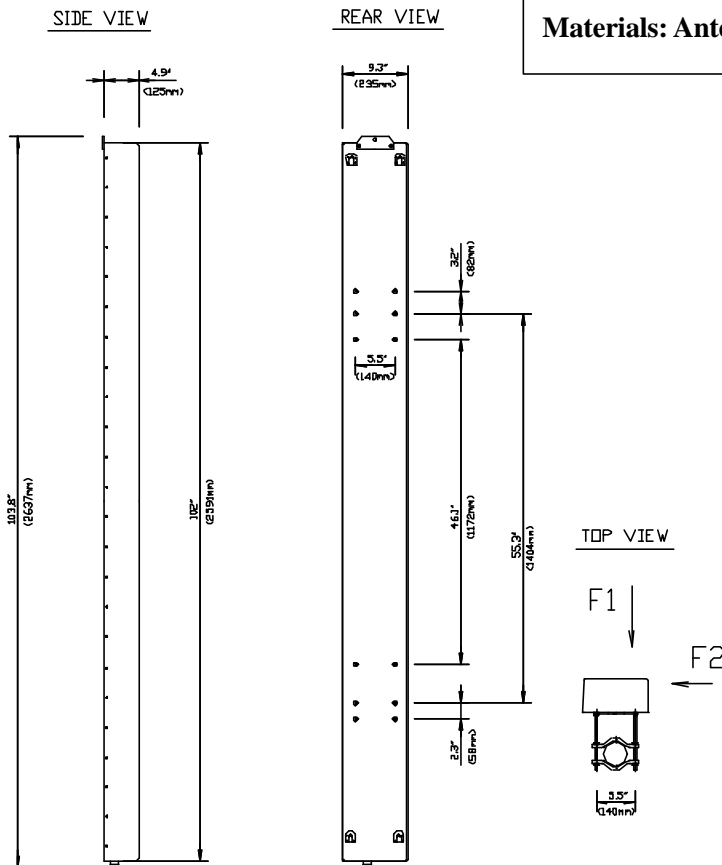
VERTICAL - PLANE



# Model 3990-025/3990-045, 87°, 17 dBi (14.9 dBd) Panel

## MECHANICAL CHARACTERISTICS

<b>Height x Width x Depth</b>	102" x 9.3" x 4.9" (2591 x 235 x 125 mm)
<b>Weight</b>	32.6 lbs (14.8 kg)
<b>Wind Survival Rating</b>	125 mph (200 km/h)
<b>Wind Load (at 100 mph)</b>	1087 N (frontal F1) 672 N (lateral F2)
<b>Flat Plate Equivalent Area</b>	6.54 ft <sup>2</sup> (0.61 m <sup>2</sup> )
<b>Connector Types (Female)</b>	Type N, or 7/16 DIN
<b>Materials: Antenna / Radome</b>	Aluminum / ABS



## MOUNTING HARDWARE

<b>Mounting Brackets*</b>	<b>Fix 903</b> (1.25" - 3.5" OD pipe) (30 - 90 mm OD pipe)
	<b>Fix 905</b> (2" - 4.7" OD pipe) (50 - 120 mm OD pipe)

**Mechanical Tilt Brackets (optional)** Model **TB-3990**

\* Antenna without TB-3990 requires Fix 905 Mounting Brackets