

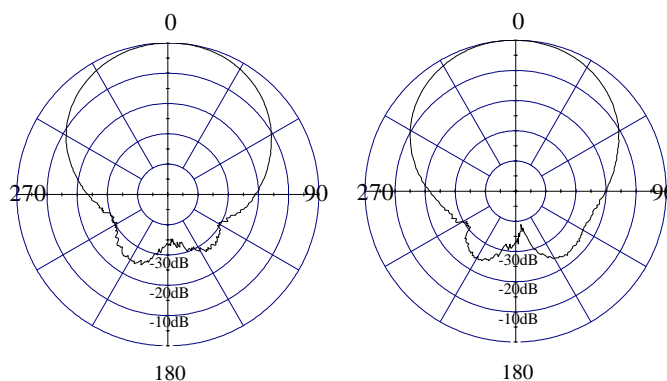
# Model 45010X/45010XS, 65°, 16 dBi (13.9 dBd) Panel

## ELECTRICAL CHARACTERISTICS

	DCS / PCS
Frequency Range	1710 - 1990 MHz
Beamwidth: Horizontal-plane Vertical-plane	65° ± 5° (at -3 dB) 12.5° ± 1° (at -3 dB)
Max/Min Gain	16/15.3 dBi (13.9/13.2 dBd)
Electrical Downtilt	0° (available -2°)
Side Lobes	≤ -14 dB
Port to Port Isolation	≤ -30 dB
Front-to-Back Ratio	≤ -23 dB

## GENERAL CHARACTERISTICS

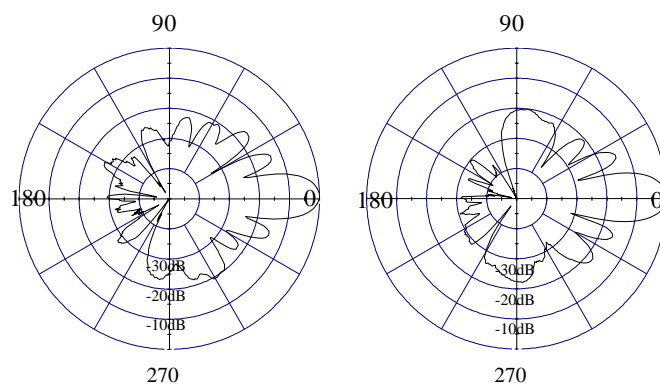
Impedance	50 Ω
VSWR	≤ 1.4:1
Polarization	± 45°
Rated Power	500 W



Polar + 45°

Polar - 45°

## HORIZONTAL - PLANE



Polar + 45°

Polar - 45°

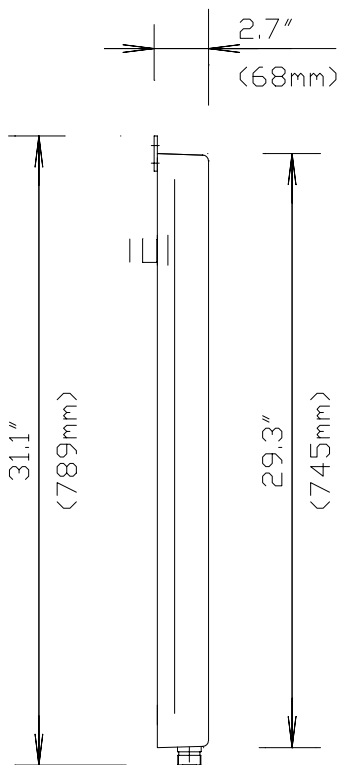
## VERTICAL - PLANE

# Model 45010X/45010XS, 65°, 16 dBi (13.9 dBd) Panel

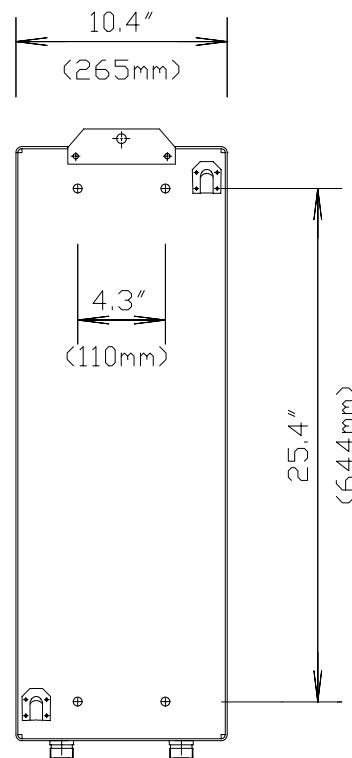
## MECHANICAL CHARACTERISTICS

<b>Height x Width x Depth</b>	29.3" x 10.4" x 2.7" (745 x 265 x 68 mm)
<b>Weight</b>	10.4 lbs (4.7 kg)
<b>Wind Survival Rating</b>	125 mph (200 km/h)
<b>Wind Load (at 100 mph)</b>	242 N (frontal F1) 73 N (lateral F2)
<b>Flat Plate Equivalent Area</b>	2.14 ft <sup>2</sup> (0.20 m <sup>2</sup> )
<b>Connector Types (Female)</b>	Type N or 7/16 DIN
<b>Materials: Antenna/Radome</b>	Aluminum / ABS

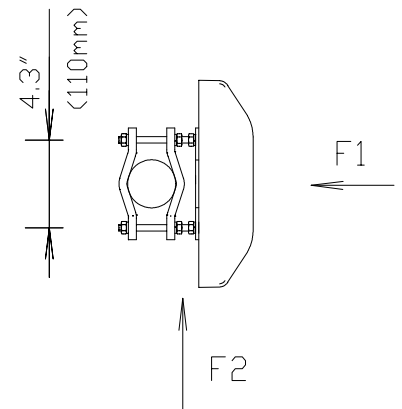
SIDE VIEW



REAR VIEW



TOP-VIEW



## MOUNTING HARDWARE

<b>Mounting Brackets</b>	<b>Fix 903</b> (1.25" - 3.5" OD pipe) (30 - 90 mm OD pipe)
<b>Mechanical Tilt Brackets (optional)</b>	<b>TB-3960 / TB-S</b> <b>TB-6X</b> (rear connector option)