

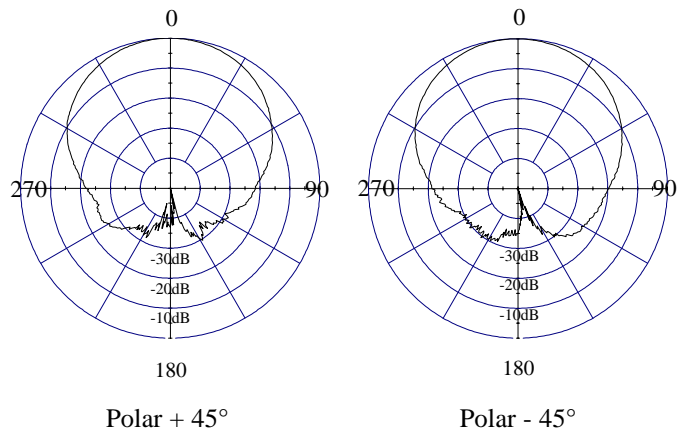
Model 45510X/45510XS, 62°,16.2 dBi(14.1 dBd)Panel

ELECTRICAL CHARACTERISTICS

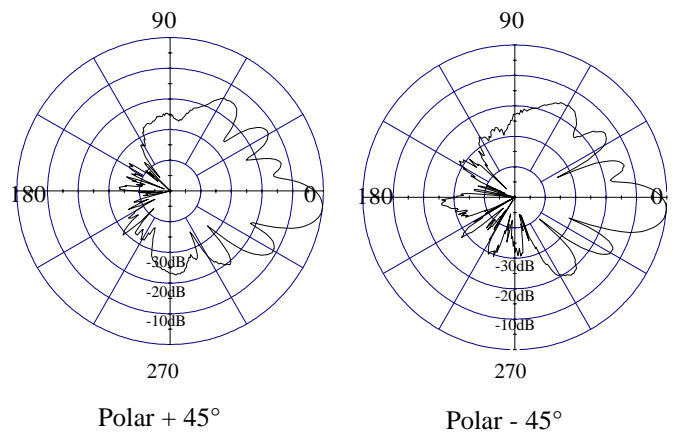
	<u>DCS / PCS</u>
Frequency Range	1710 - 1990 MHz
Beamwidth: Horizontal-plane Vertical-plane	62° ± 4° (at -3 dB) 12.5° ± 1° (at -3 dB)
Gain	16.2 dBi (14.1 dBd)
Electrical Downtilt	-5°
Side Lobes	≤ -8 dB
Port to Port Isolation	≤ -30 dB
Front-to-Back Ratio	≤ -24 dB

GENERAL CHARACTERISTICS

Impedance	50 Ω
VSWR	≤ 1.4:1
Polarization	± 45°
Rated Power	300 W



HORIZONTAL - PLANE



VERTICAL - PLANE

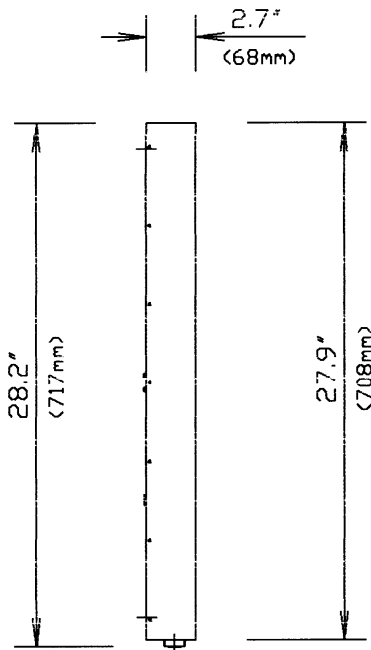


Model 45510X/45510XS, 62°, 16.2 dBi (14.1 dBd) Panel

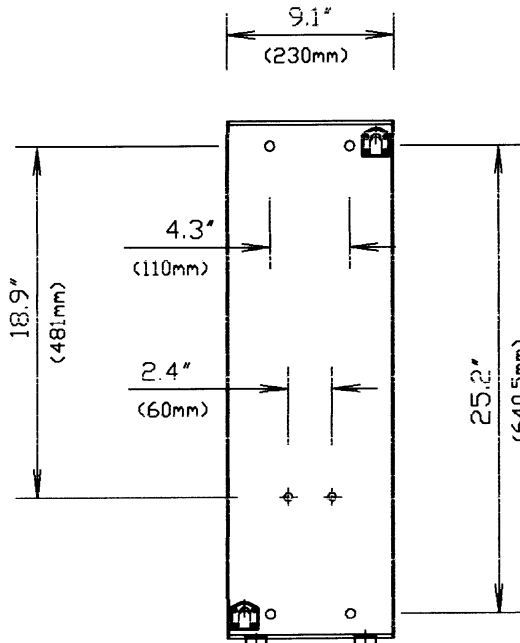
MECHANICAL CHARACTERISTICS

Height x Width x Depth	27.9" x 9.1" x 2.7" (708 x 230 x 68 mm)
Weight	8.8 lbs (4.0 kg)
Wind Survival Rating	125 mph (200 km/h)
Wind Load (at 100 mph)	199 N (frontal F1) 69 N (lateral F2)
Flat Plate Equivalent Area	1.72 ft ² (0.16 m ²)
Connector Types (Female)	Type N or 7/16 DIN
Materials: Antenna/Radome	Aluminum / ABS

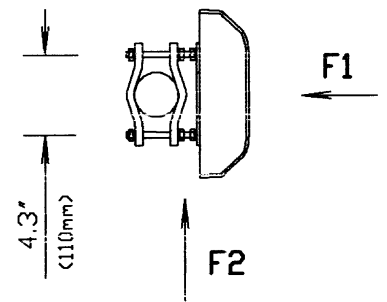
SIDE VIEW



REAR VIEW



TOP VIEW



MOUNTING HARDWARE

Mounting Brackets	Fix 903 (1.25" - 3.5" OD pipe) (30 - 90 mm OD pipe)
Mechanical Tilt Brackets (optional)	Model TB-3960 / TB-S TB-6X (rear connector option)