

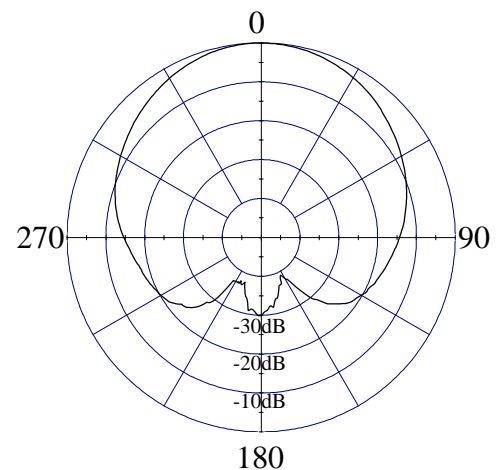
Model 49010/49010S, 63°, 20 dBi (17.9 dBd) Panel

ELECTRICAL CHARACTERISTICS

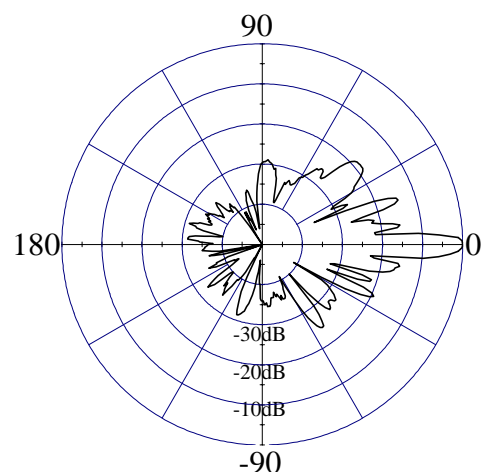
	<u>DCS / PCS</u>
Frequency Range	1710 - 1990 MHz
Beamwidth: Horizontal-plane	63° ± 3° (at -3 dB)
Vertical-plane	5.5° ± 1° (at -3 dB)
Max/Min Gain	20/19 dBi (17.9/16.9 dBd)
Electrical Downtilt	0° (available -2°, -4°, -5°, -6°)
Side Lobes	≤ -15 dB
Front-to-Back Ratio	≤ -30 dB

GENERAL CHARACTERISTICS

Impedance	50 Ω
VSWR	≤ 1.4:1
Polarization	Vertical
Rated Power	500 W



HORIZONTAL - PLANE

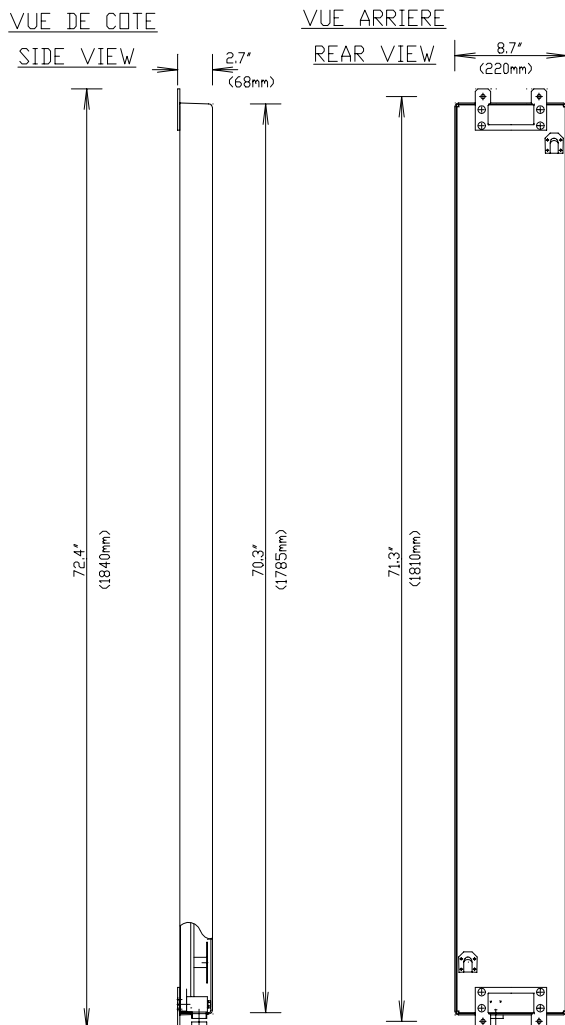


VERTICAL - PLANE

Model 49010/49010S, 63°, 20 dBi (17.9 dBd) Panel

MECHANICAL CHARACTERISTICS

Height x Width x Depth	70.3" x 8.7" x 2.7" (1785 x 220 x 68 mm)
Weight	23.8 lbs (10.8 kg)
Wind Survival Rating	125 mph (200 km/h)
Wind Load (at 100 mph)	700 N (frontal F1) 267 N (lateral F2)
Flat Plate Equivalent Area	4.23 ft ² (0.39 m ²)
Connector Types (Female)	7/16 DIN (Type N available)
Materials: Antenna/Radome	Aluminum / ABS



MOUNTING HARDWARE

Mounting Brackets	Fix 903 (1.25" - 3.5" OD pipe) (30 - 90 mm OD pipe)
Mechanical Tilt Brackets (optional)	Model TB-9 / TB-S