

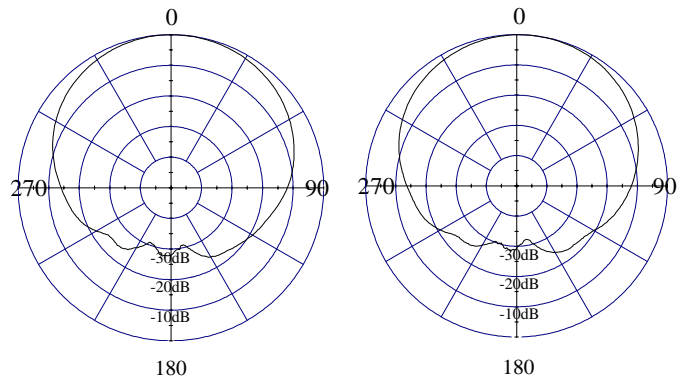
Model 59010X/59010XS, 87°, 18.4 dBi (16.3 dBd) Panel

ELECTRICAL CHARACTERISTICS

	<u>DCS / PCS</u>
Frequency Range	1710 - 1990 MHz
Beamwidth: Horizontal-plane Vertical-plane	87° ± 5° (at -3 dB) 5.5° ± 0.5° (at -3 dB)
Max/Min Gain	18.4/17.4 dBi (16.3/15.3 dBd)
Electrical Downtilt	0° (available -2°, -5°)
Side Lobes	≤ -13 dB
Port to Port Isolation	≤ -30 dB
Front-to-Back Ratio	≤ -24 dB

GENERAL CHARACTERISTICS

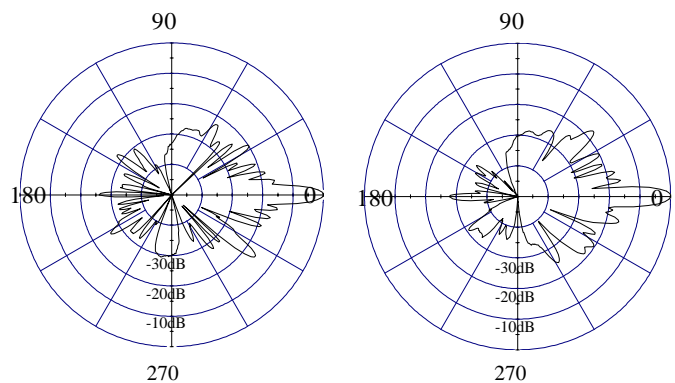
Impedance	50 Ω
VSWR	≤ 1.4:1
Polarization	± 45°
Rated Power	500 W



Polar + 45°

Polar - 45°

HORIZONTAL - PLANE



Polar + 45°

Polar - 45°

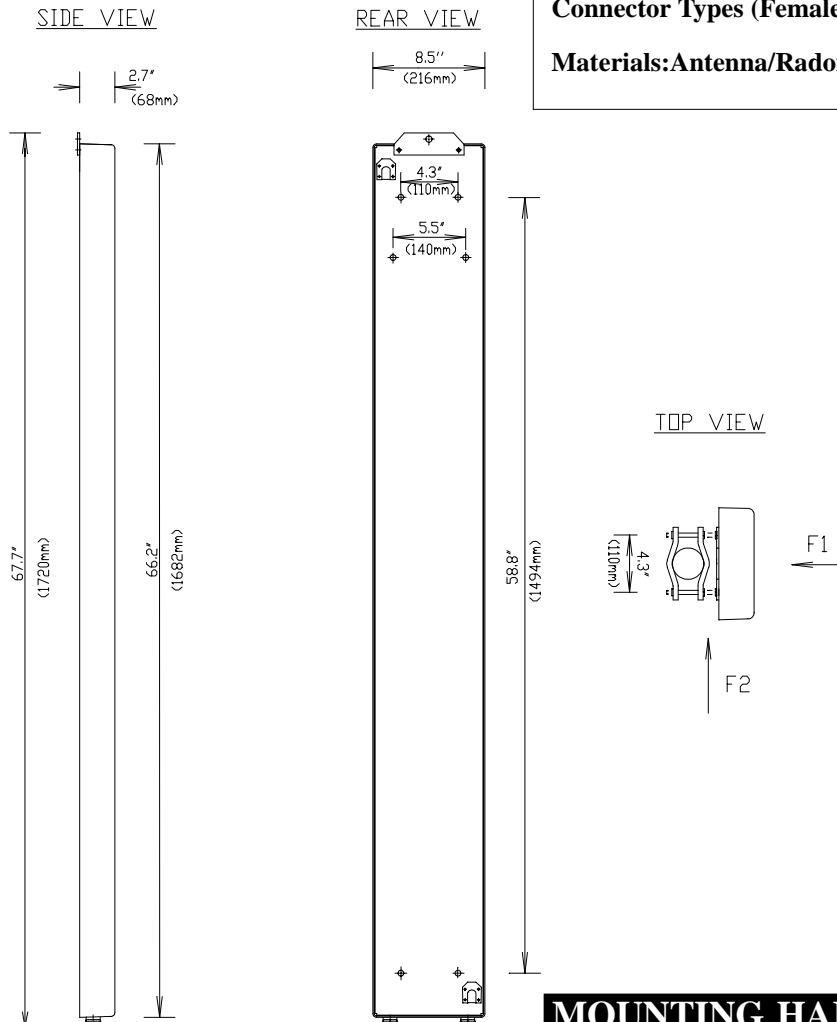
VERTICAL - PLANE



Model 59010X/59010XS, 87°, 18.4 dBi (16.3 dBd) Panel

MECHANICAL CHARACTERISTICS

Height x Width x Depth	66.2" x 8.5" x 2.7" (1682 x 216 x 68 mm)
Weight	22.3 lbs (10.1 kg)
Wind Survival Rating	125 mph (200 km/h)
Wind Load (at 100 mph)	604 N (frontal F1) 247 N (lateral F2)
Flat Plate Equivalent Area	3.91 ft ² (0.36 m ²)
Connector Types (Female)	Type N or 7/16 DIN
Materials: Antenna/Radome	Aluminum / ABS



MOUNTING HARDWARE

Mounting Brackets	Fix 903 (1.25" - 3.5" OD pipe) (30 - 90 mm OD pipe)
Mechanical Tilt Brackets (optional)	Model TB-9C / TB-S TB-9X (rear connector option)