

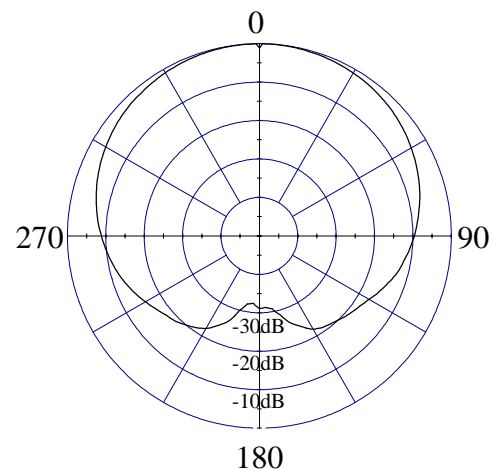
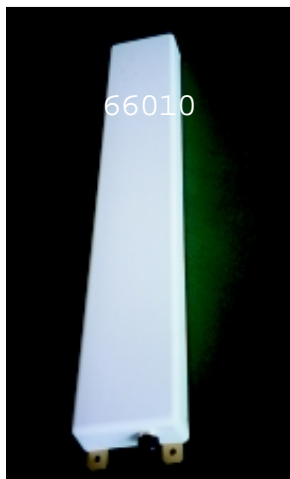
Model 66010/66010S, 104°, 15.1 dBi(13 dBd)Panel

ELECTRICAL CHARACTERISTICS

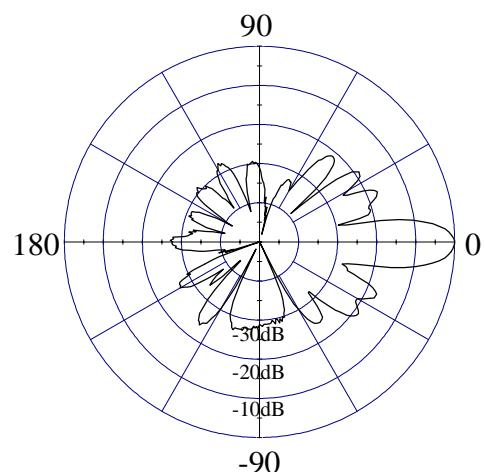
	<u>DCS / PCS</u>
Frequency Range	1710 - 1990 MHz
Beamwidth: Horizontal-plane Vertical-plane	104° ± 2° (at -3 dB) 10° ± 1° (at -3 dB)
Max/Min Gain	15.1/14.4 dBi (13/12.3 dBd)
Electrical Downtilt	0°
Side Lobes	≤ -15 dB
Front-to-Back Ratio	≤ -24 dB

GENERAL CHARACTERISTICS

Impedance	50 Ω
VSWR	≤ 1.4:1
Polarization	Vertical
Rated Power	500 W



HORIZONTAL - PLANE



VERTICAL - PLANE



Model 66010/66010S, 104°, 15.1 dBi(13 dBd)Panel

MECHANICAL CHARACTERISTICS

Height x Width x Depth	36.3" x 6.3" x 2.7" (921 x 159 x 68 mm)
Weight	7.5 lbs (3.4 kg)
Wind Survival Rating	125 mph (200 km/h)
Wind Load (at 100 mph)	231 N (frontal F1) 104 N (lateral F2)
Flat Plate Equivalent Area	1.58 ft ² (0.15 m ²)
Connector Types (Female)	7/16 DIN (Type N available)
Materials:Antenna/Radome	Aluminum / ABS

REAR VI

MOUNTING HARDWARE

Mounting Brackets	Fix 903 (1.25" - 3.5" OD pipe) (30 - 90 mm OD pipe)
Mechanical Tilt Brackets (optional)	Model TB-6 / TB-S Model TB-6A (rear connector option)