

Model DH010XTSA, 63°, 18.1 dBi (16 dBd)

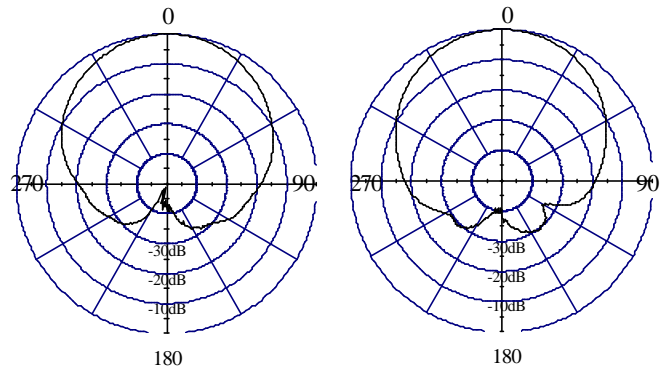
Dual Polarized ($\pm 45^\circ$) - Variable Tilt

ELECTRICAL CHARACTERISTICS

	PCS
Frequency Range	1850 - 1990 MHz
Beamwidth: Horizontal-plane	$63^\circ \pm 3^\circ$ (at -3 dB)
Vertical-plane	$7.2^\circ \pm 0.3^\circ$ (at -3 dB)
Max / Min Gain	18.1/17.2 dBi (16/15.1 dBd)
Variable Electrical Tilt ACCUTILT™	0° to -8° (continuous)
First Upper Side Lobe	≤ -18 dB
Typical Null Filling	≥ -20 dB
Port to Port Isolation	≤ -29 dB
Intermodulation IM3 (2x43 dBm carrier)	< -150 dBc
Front-to-Back Ratio	≤ -30 dB

GENERAL CHARACTERISTICS

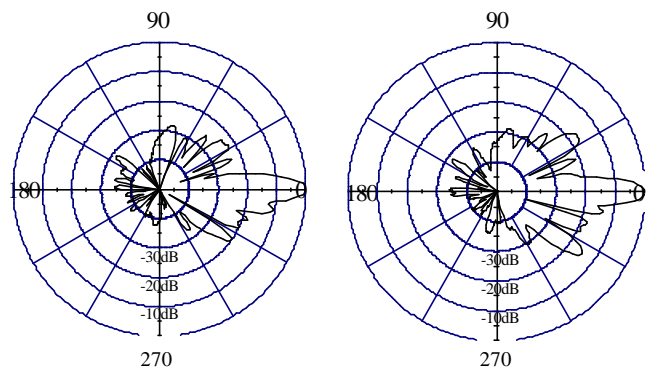
Impedance	50 Ω
VSWR	$\leq 1.40:1$
Polarization	$\pm 45^\circ$
Rated Power	300 W



Polar + 45°

Polar - 45°

HORIZONTAL - PLANE



Polar + 45°

Polar - 45°

VERTICAL - PLANE





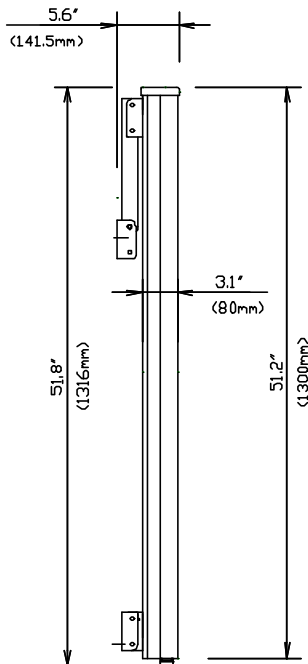
Model DH010XTSA, 63°, 18.1 dBi (16 dBd)

Dual Polarized ($\pm 45^\circ$) - Variable Tilt

MECHANICAL CHARACTERISTICS

Height x Width x Depth	51.2" x 7.5" x 3.1" (1300 x 190 x 80 mm)
Weight	17.6 lbs (8 kg)
Wind Survival Rating	125 mph (200 km/h)
Wind Load (at 100 mph)	403 N (frontal F1) 204 N (lateral F2)
Flat Plate Equivalent Area	2.69 ft ² (0.25 m ²)
Connector Type (Female)	7/16 DIN
Materials:Antenna/Radome	Aluminum / Polyester

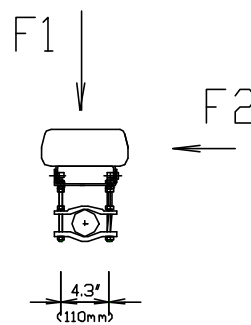
SIDE VIEW



REAR VIEW



TOP VIEW



MOUNTING HARDWARE

Mounting Brackets	Fix 903 (1.25" - 3.5" OD pipe) (30 - 90 mm OD pipe)
	Fix 905 (2" - 4.7" OD pipe) (50 - 120 mm OD pipe)
Mechanical Tilt Brackets (optional)	Model TB-S