

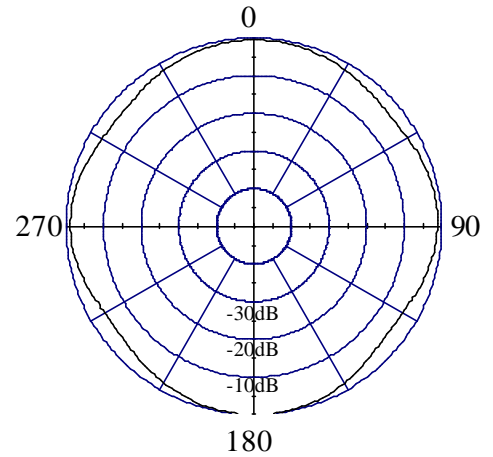
# Model W23-06500, 11 dBi (8.9 dBd) Omni Module

## ELECTRICAL CHARACTERISTICS

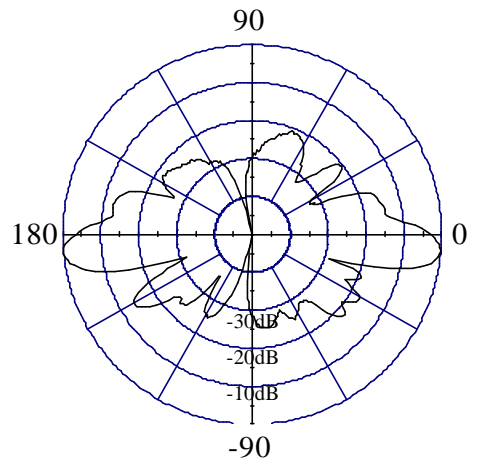
<b>Frequency Range</b>	2300 - 2310 MHz
<b>Beamwidth: Horizontal-plane</b>	Omni $\pm 2$ dB
<b>Vertical-plane</b>	$10^\circ \pm 1^\circ$ (at -3 dB)
<b>Max/Min Gain</b>	11/10.7 dBi (8.9/8.6 dBd)
<b>Electrical Downtilt</b>	-5°
<b>Side Lobes</b>	$\leq -12$ dB

## GENERAL CHARACTERISTICS

<b>Impedance</b>	50 $\Omega$
<b>VSWR</b>	$\leq 1.4:1$
<b>Polarization</b>	Vertical
<b>Rated Power</b>	500 W



**HORIZONTAL - PLANE**



**VERTICAL - PLANE**

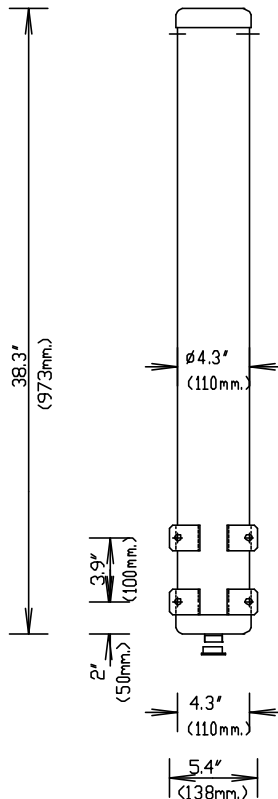


# Model W23-06500, 11 dBi (8.9 dBd) Omni Module

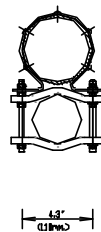
## MECHANICAL CHARACTERISTICS

<b>Height</b>	39.0" (990 mm)
<b>Diameter</b>	4.3" (110 mm)
<b>Weight</b>	11.1 lbs (5 kg)
<b>Wind Survival Rating</b>	125 mph (200 km/h)
<b>Wind Load (at 100 mph)</b>	77 N
<b>Flat Plate Equivalent Area</b>	1.18 ft <sup>2</sup> (0.11 m <sup>2</sup> )
<b>Connector Types (Female)</b>	Type N
<b>Materials:Antenna/Radome</b>	Aluminum / ABS

REAR VIEW



TOP VIEW



## MOUNTING HARDWARE

<b>Mounting Brackets</b>	<b>Fix 912</b> (1.25" - 3.5" OD pipe) (30 - 90 mm OD pipe)
--------------------------	---